

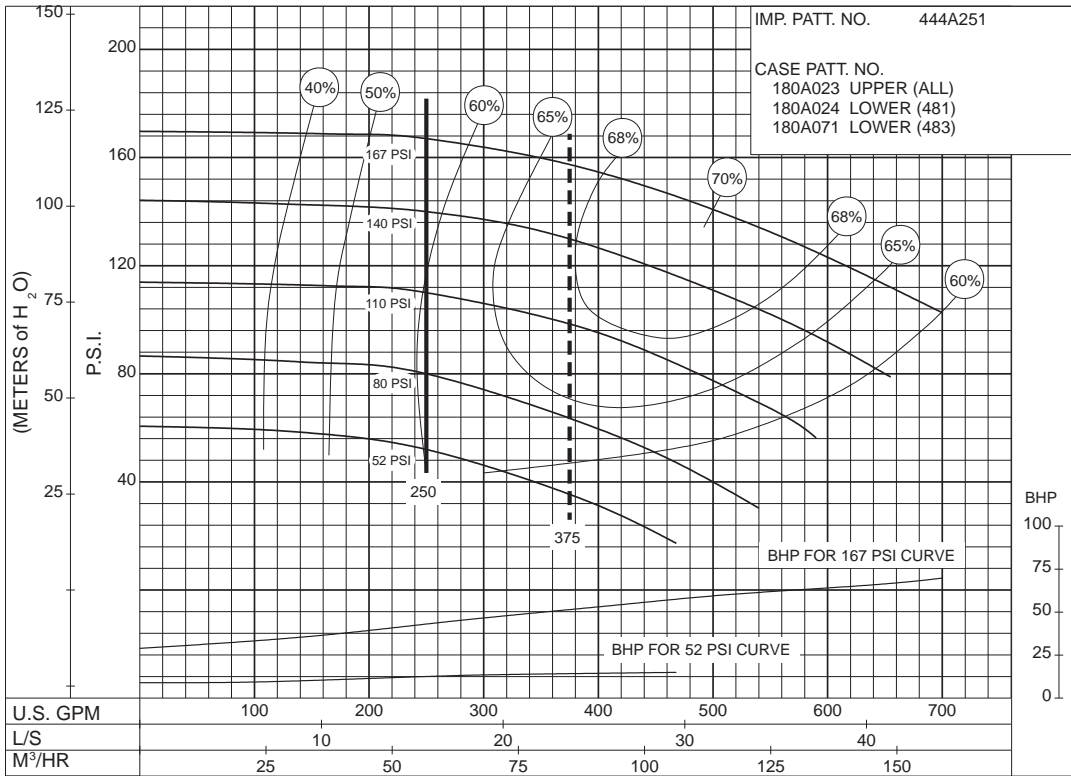
250 G.P.M. 912 SERIES ELECTRIC MOTOR DRIVE

SIZE : 2.5-481-10B / 2.5-483-10B

MODEL: 480

IMPELLER : Enclosed

R. P. M. : 3560



PC-147558A

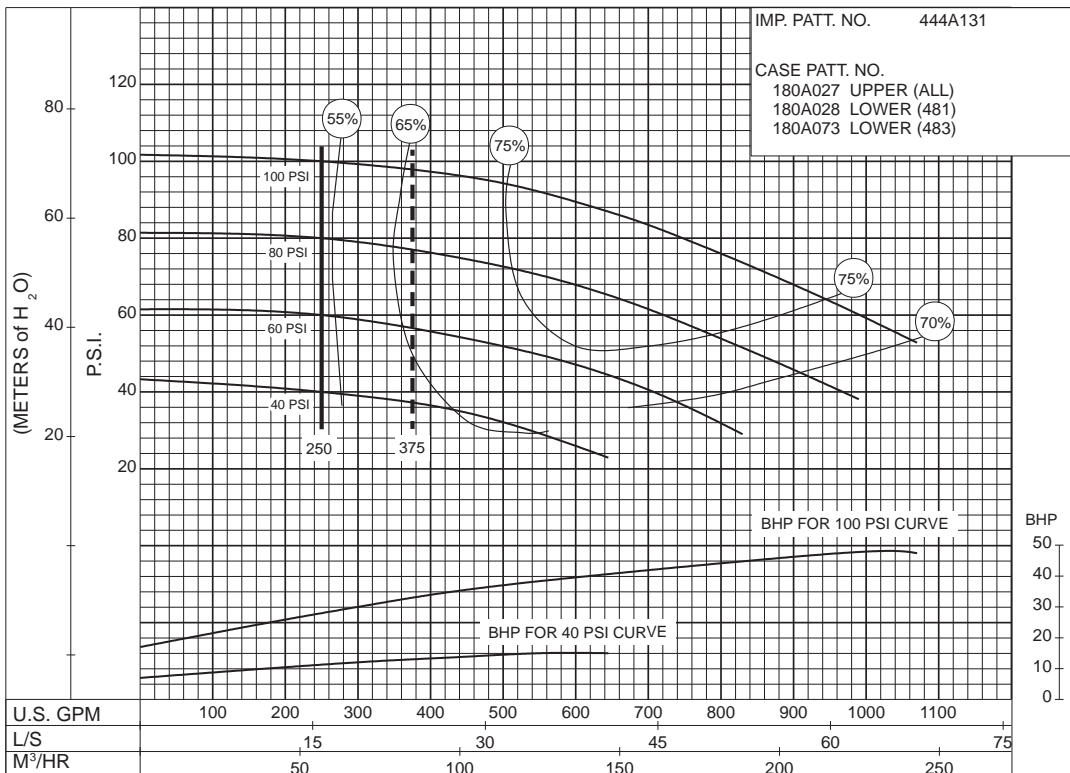
52 to 167 P.S.I.

SIZE : 3-481-10 / 3-483-10

MODEL: 480

IMPELLER : Enclosed

R. P. M. : 3560



PC-117424

40 to 100 P.S.I.



AURORA®

SIZE : 3-492-10A

MODEL: 492

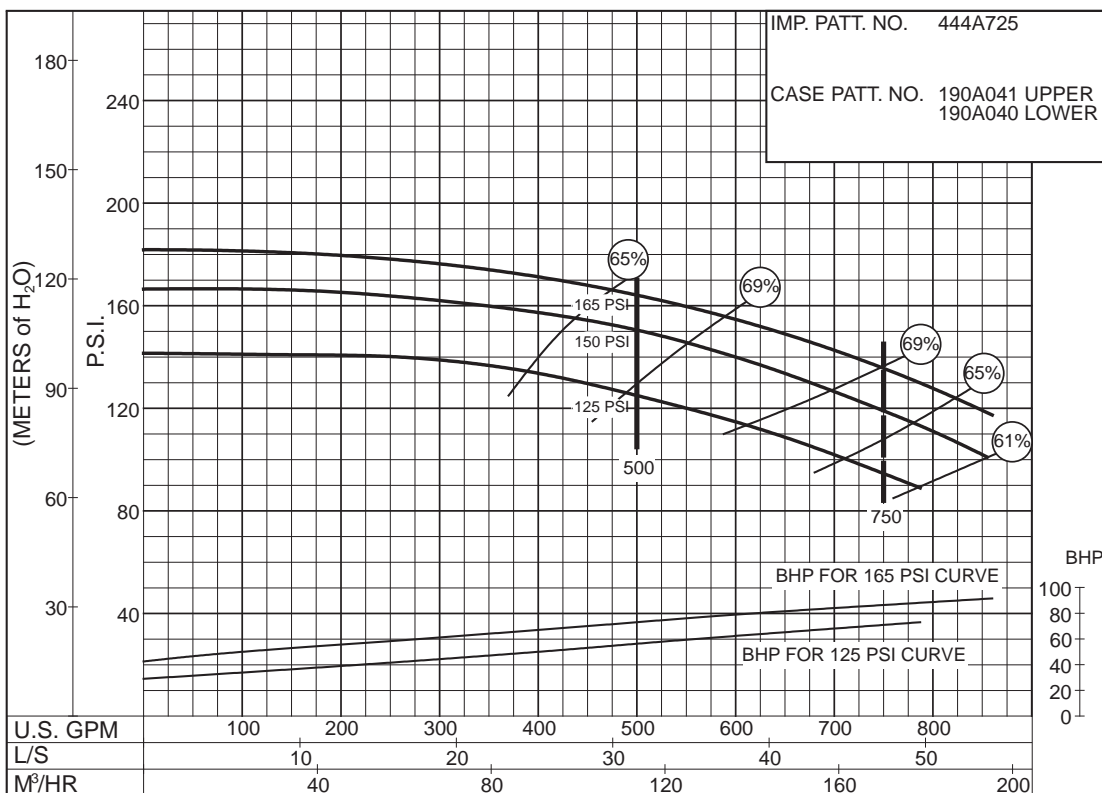
IMPELLER : Enclosed

R. P. M. : 3535

IMP. PATT. NO. 444A725

CASE PATT. NO. 190A041 UPPER
190A040 LOWER

125
to
165
P.S.I.



PC-168435

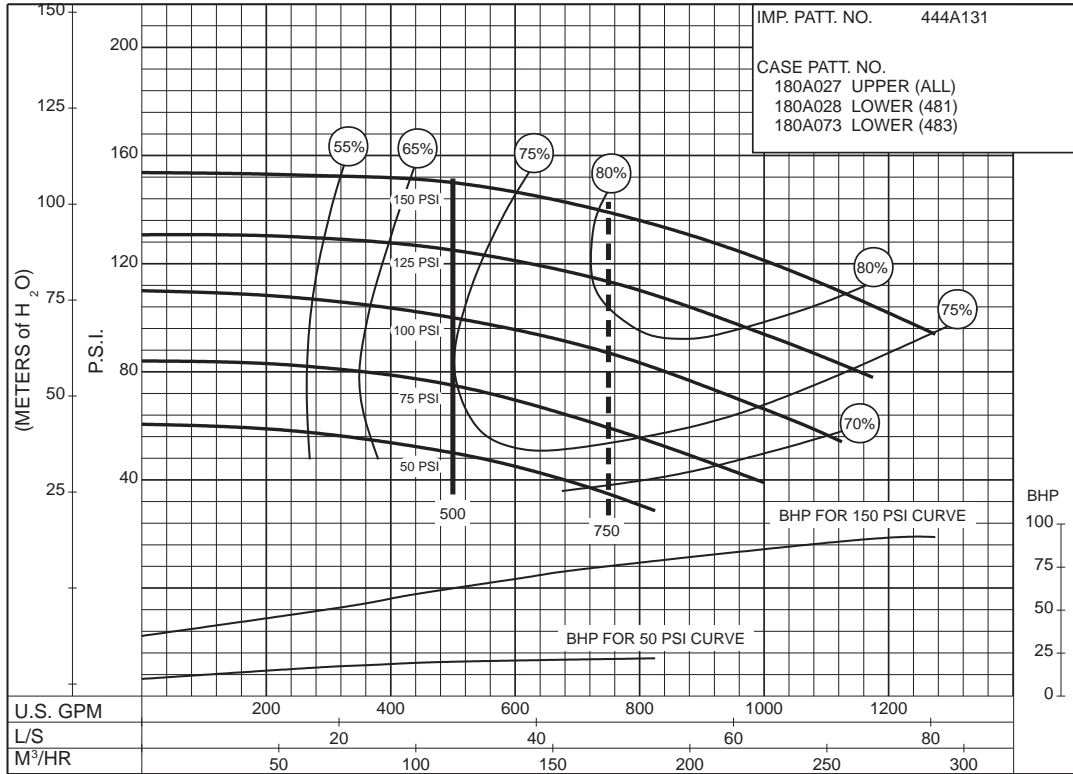
500 G.P.M. 912 SERIES ELECTRIC MOTOR DRIVE

SIZE : 3-481-10 / 3-483-10

MODEL: 480

IMPELLER : Enclosed

R. P. M. : 3560



PC-117427

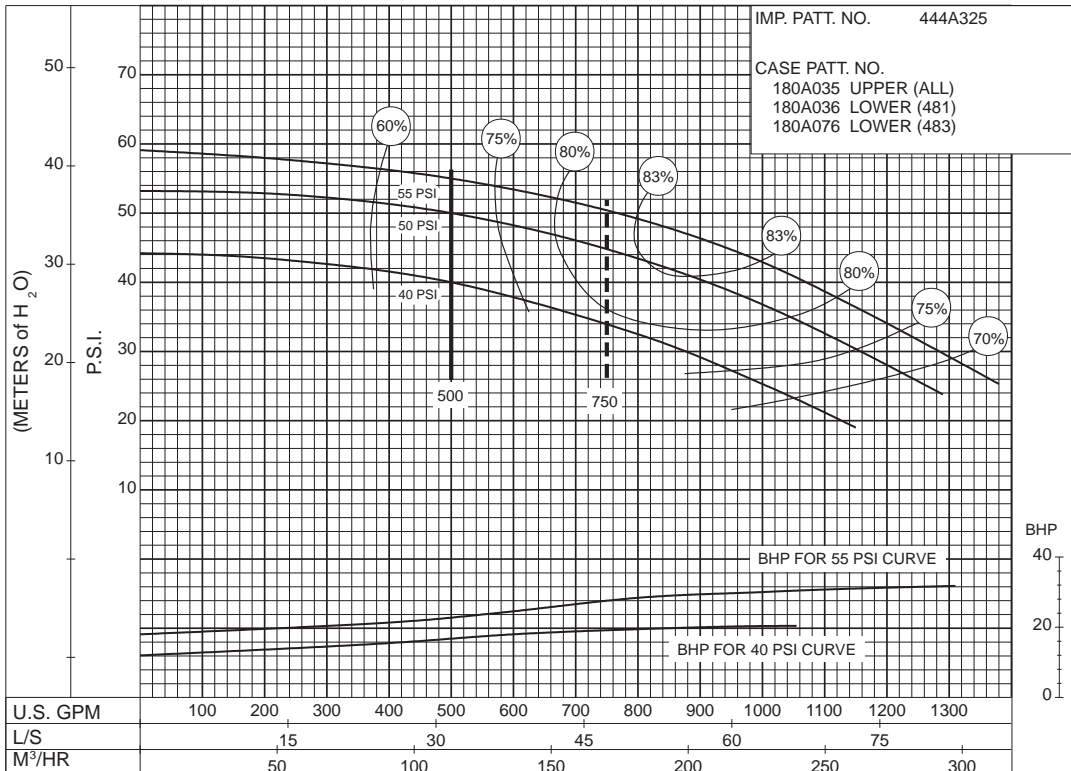
50 to 150 P.S.I.

SIZE : 4-481-11A / 4-483-11A

MODEL: 480

IMPELLER : Enclosed

R. P. M. : 1770



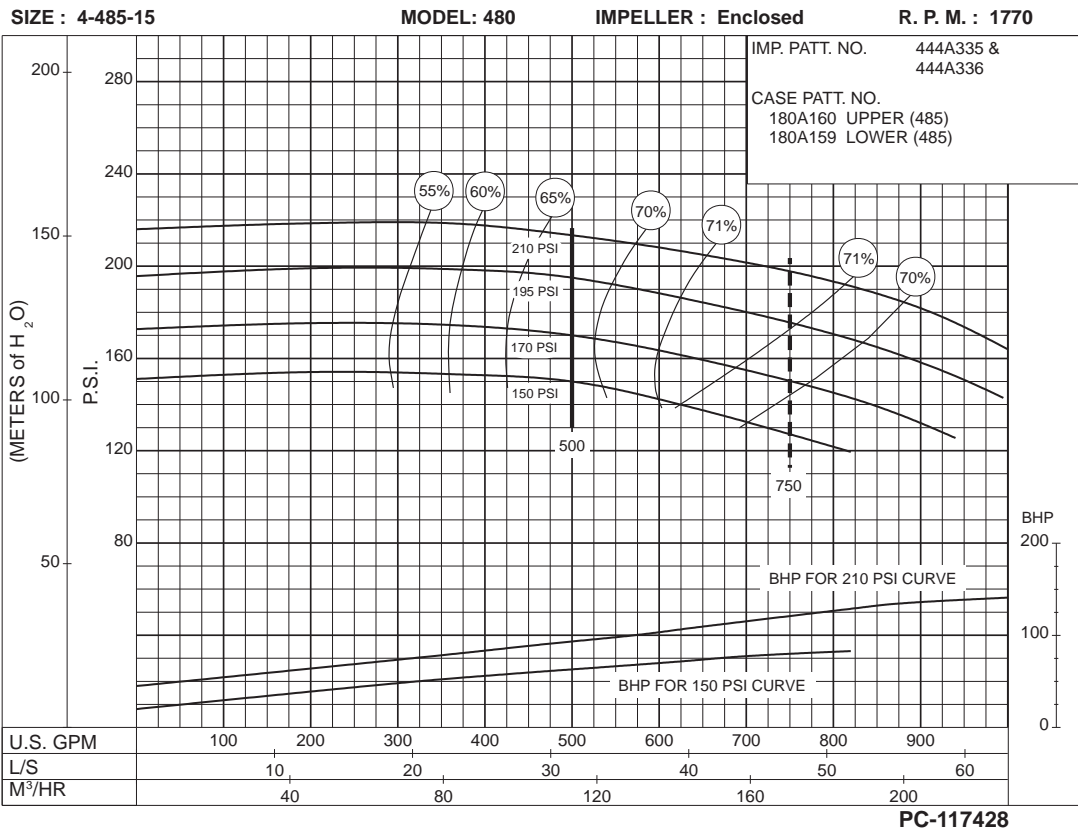
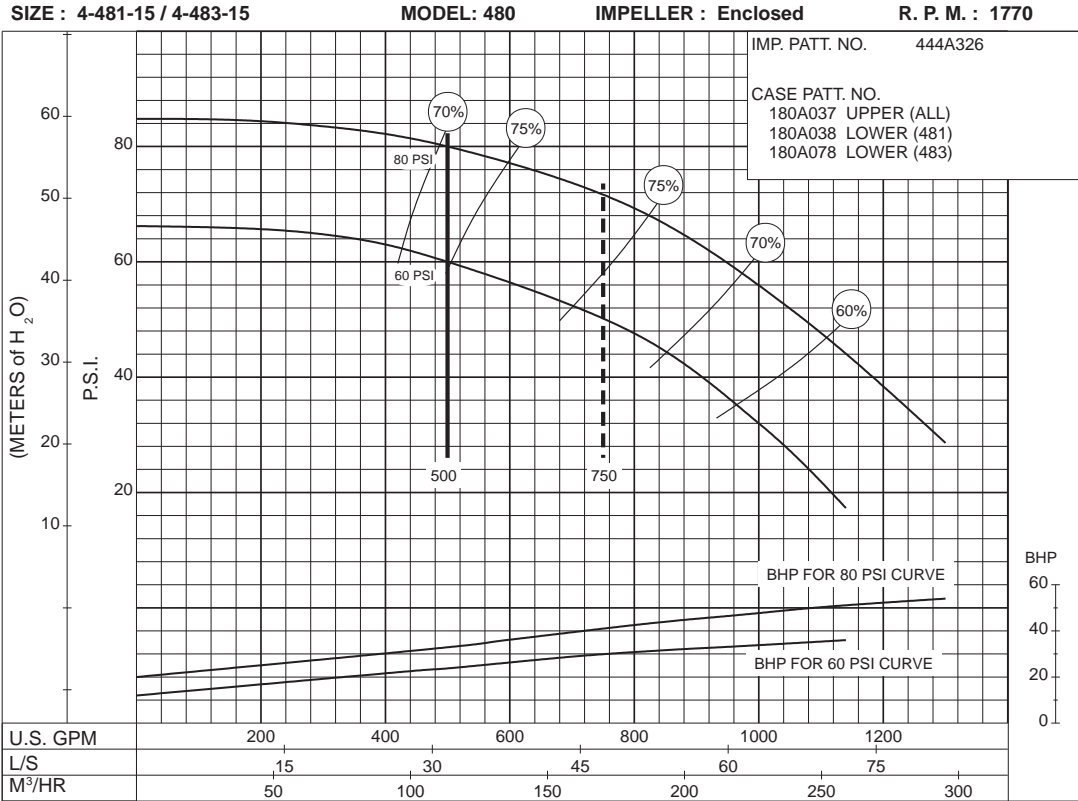
PC-117425

40 to 55 P.S.I.



AURORA®

500 G.P.M. 912 SERIES
ELECTRIC MOTOR DRIVE



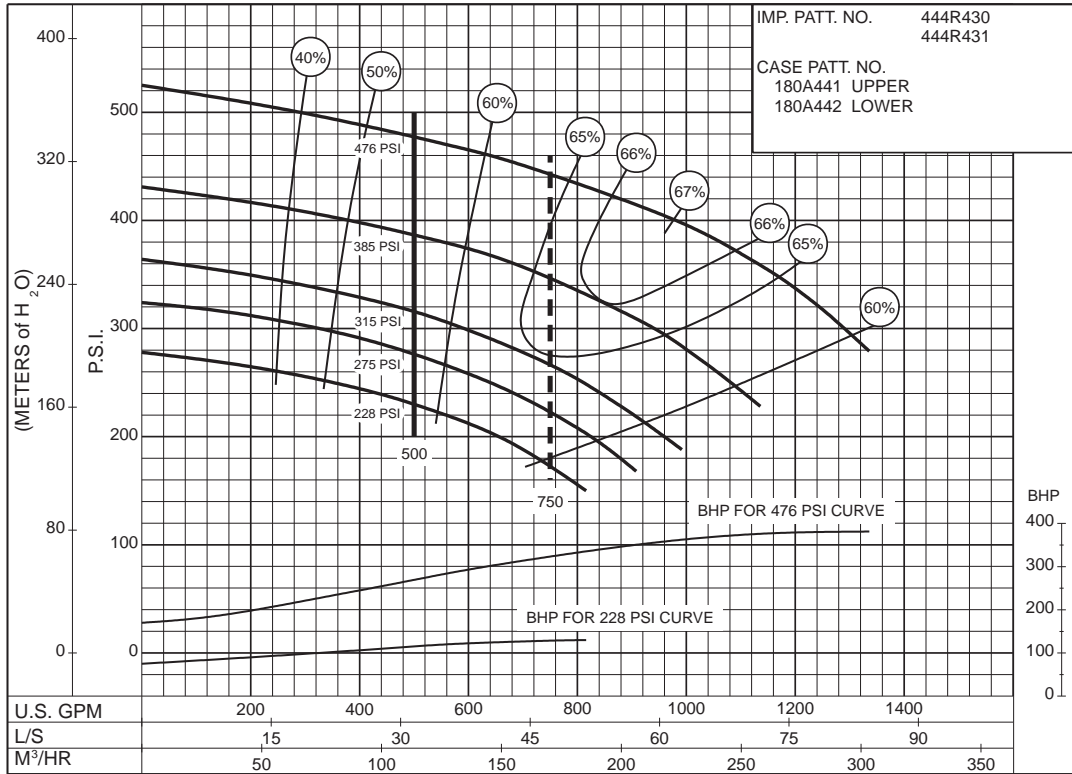
500 G.P.M. 912 SERIES ELECTRIC MOTOR DRIVE

SIZE : 5-485-12

MODEL: 480

IMPELLER : Enclosed

R. P. M. : 3550



228 to 476 P.S.I.

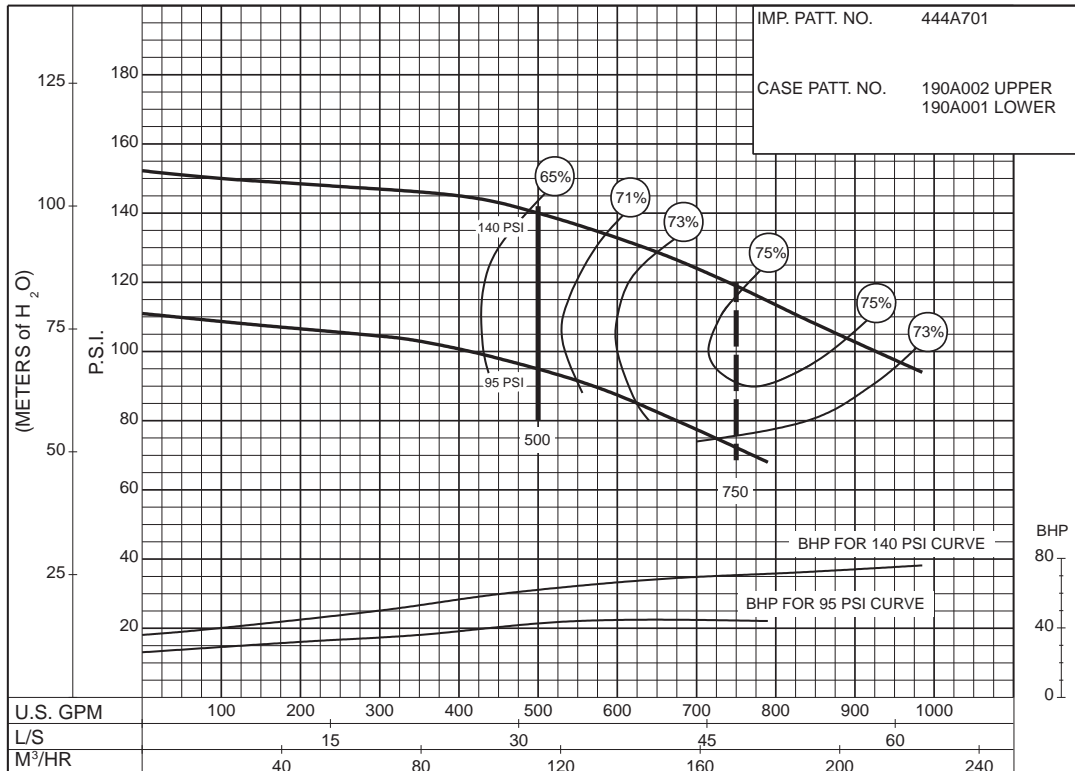
PC-174441

SIZE : 3-491-9C

MODEL: 491

IMPELLER : Enclosed

R. P. M. : 3560



95 to 140 P.S.I.

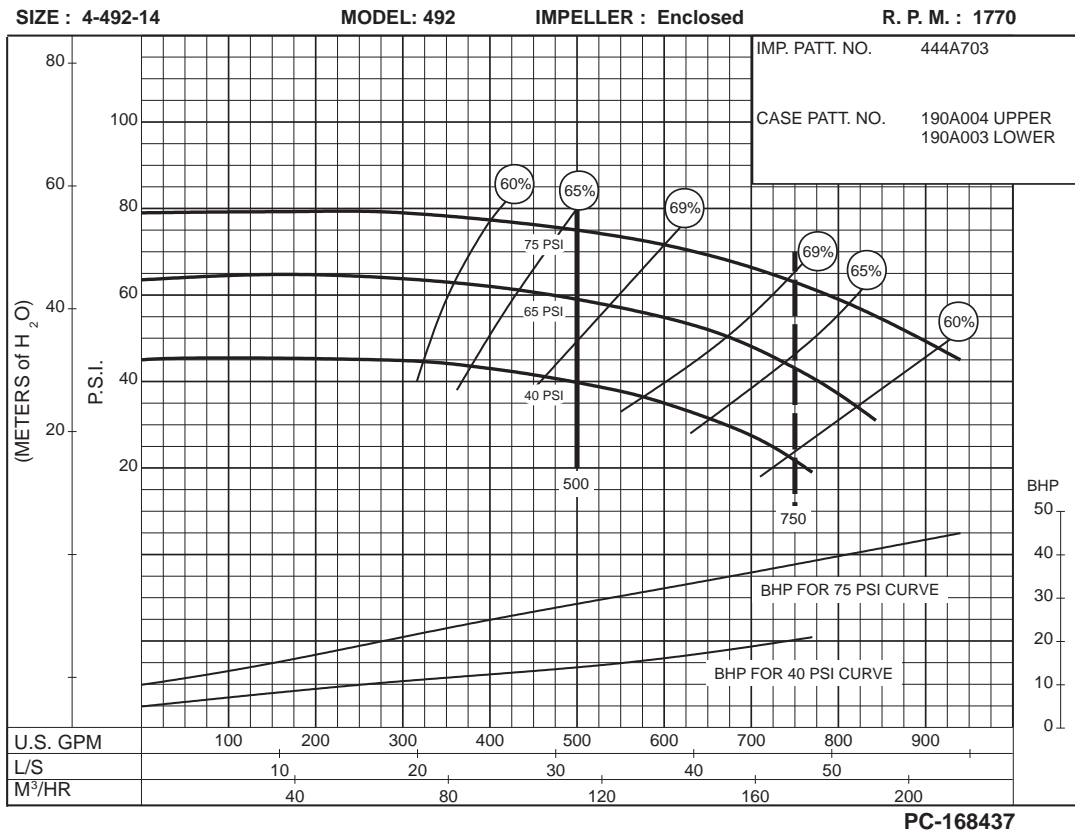
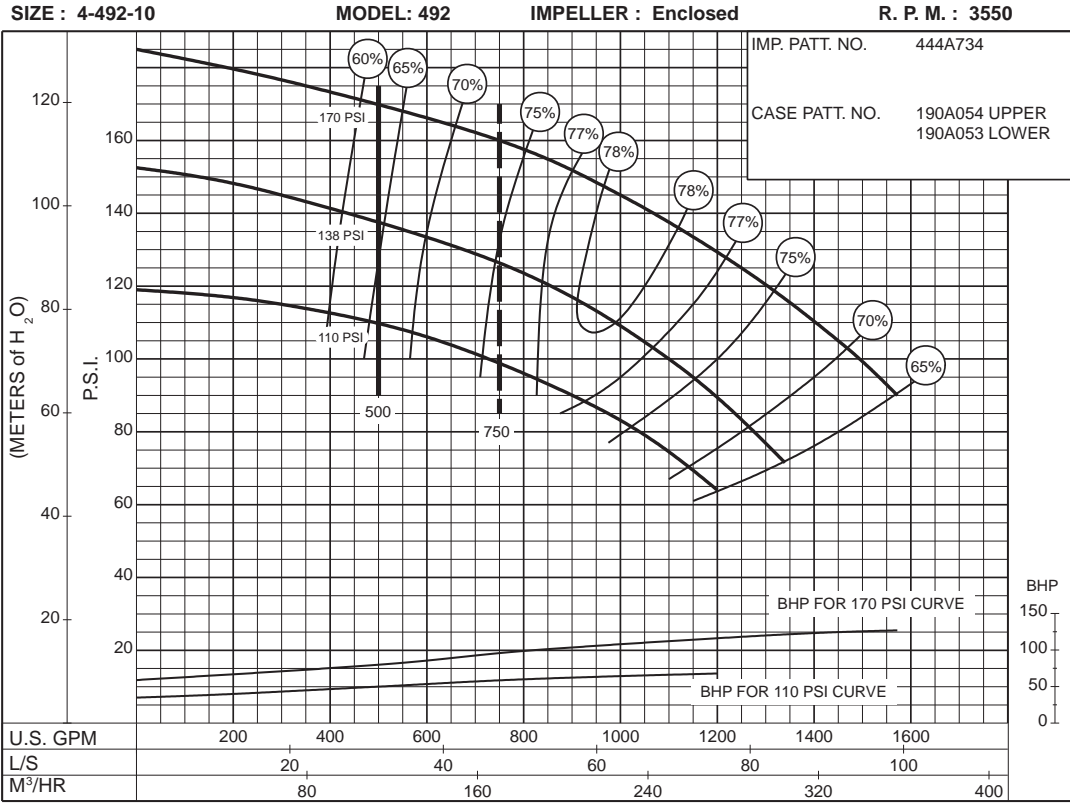
PC-168434



AURORA®

500 G.P.M. 912 SERIES

ELECTRIC MOTOR DRIVE



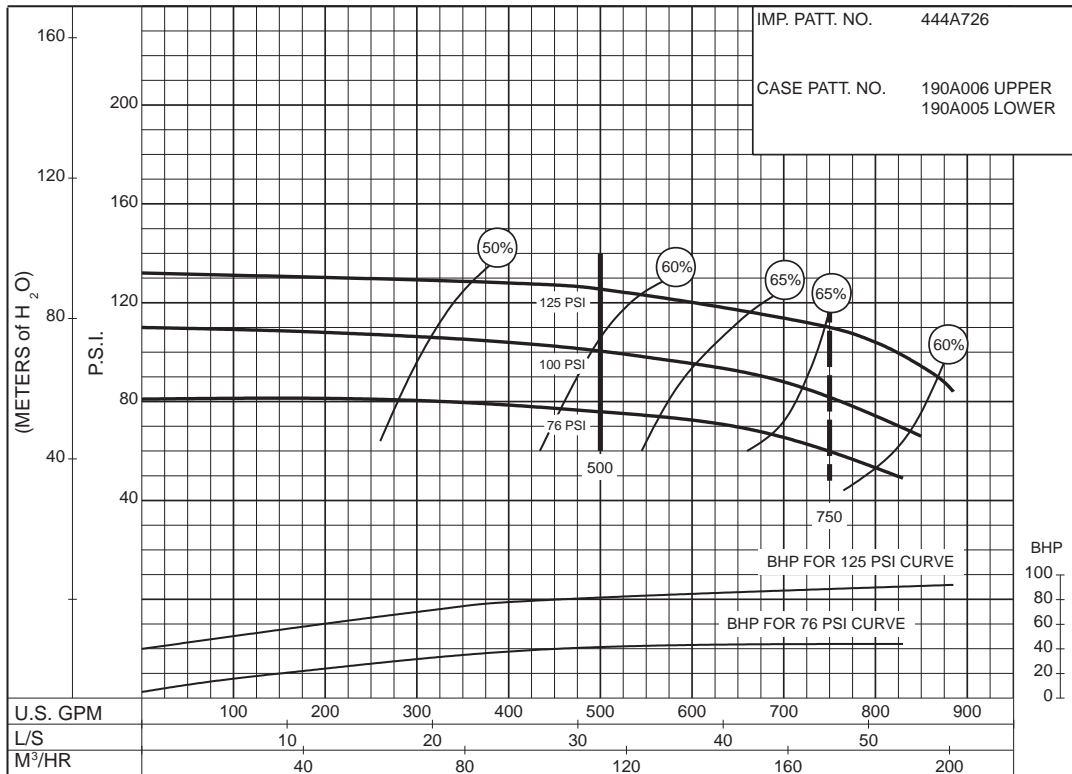
500 G.P.M. 912 SERIES ELECTRIC MOTOR DRIVE

SIZE : 4-492-18

MODEL: 492

IMPELLER : Enclosed

R. P. M. : 1770



PC-168438

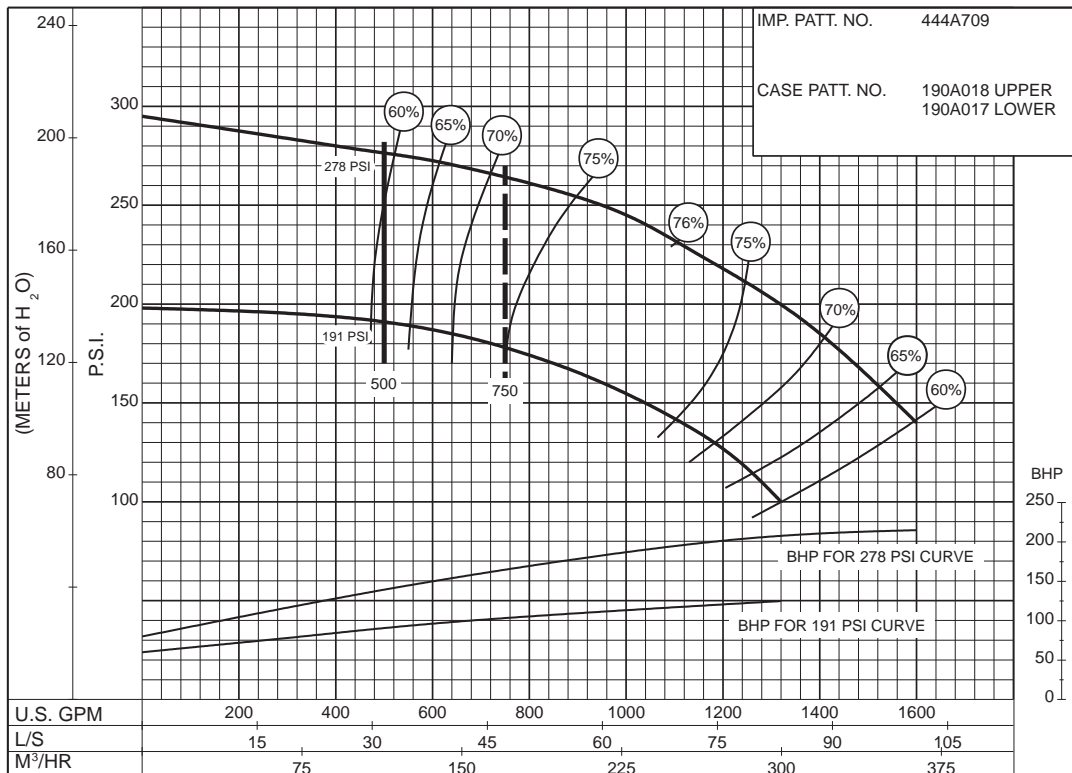
76 to 125 P.S.I.

SIZE : 6-491-12A

MODEL: 491

IMPELLER : Enclosed

R. P. M. : 3565



PC-168439

191 to 278 P.S.I.



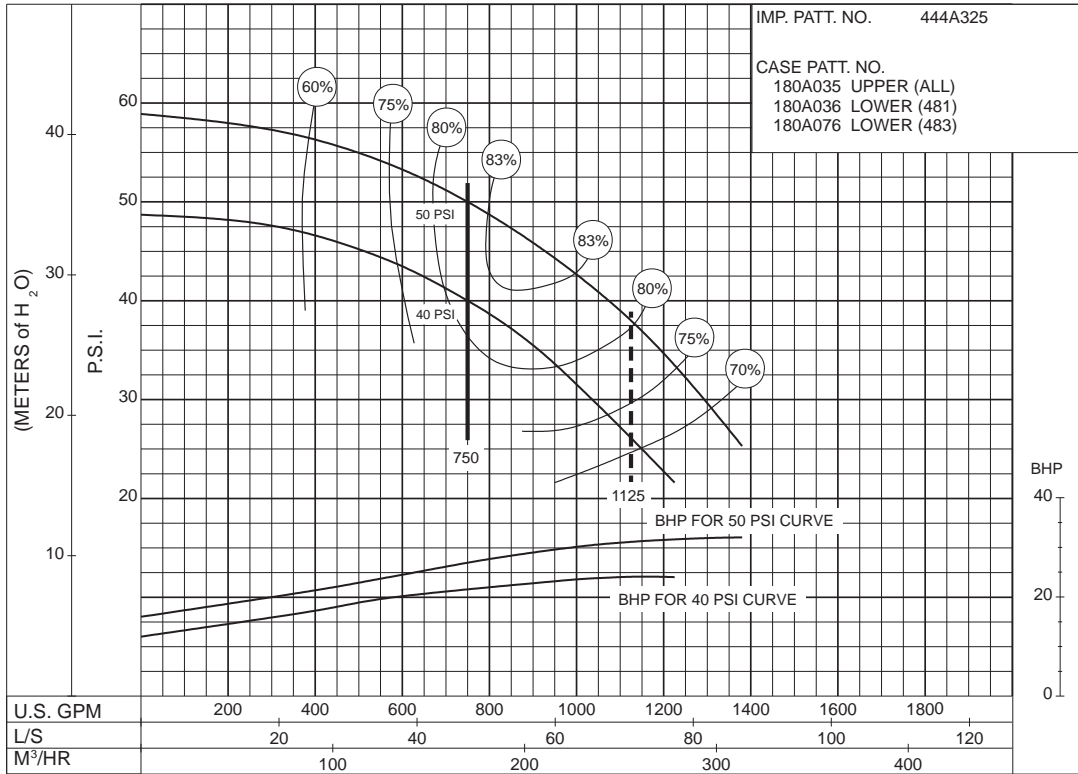
AURORA®

SIZE : 4-481-11A / 4-483-11A

MODEL: 480

IMPELLER : Enclosed

R. P. M. : 1770



PC-117429

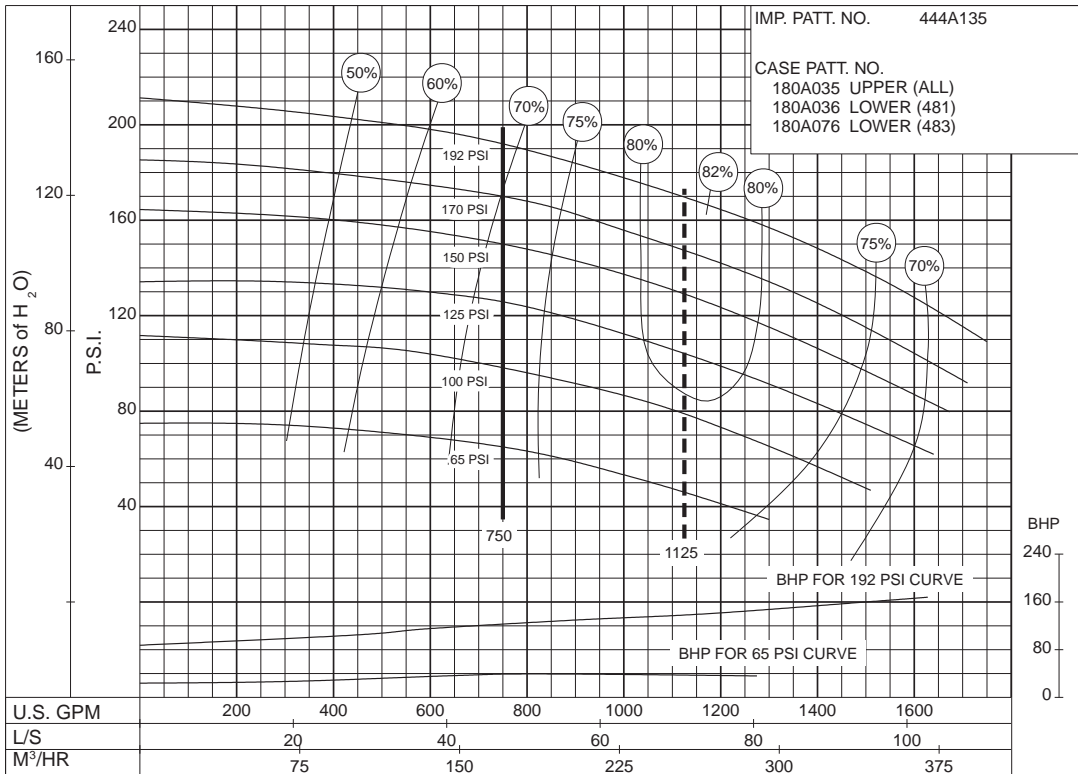
40 to 50 P.S.I.

SIZE : 4-481-11C / 4-483-11C

MODEL: 480

IMPELLER : Enclosed

R. P. M. : 3560



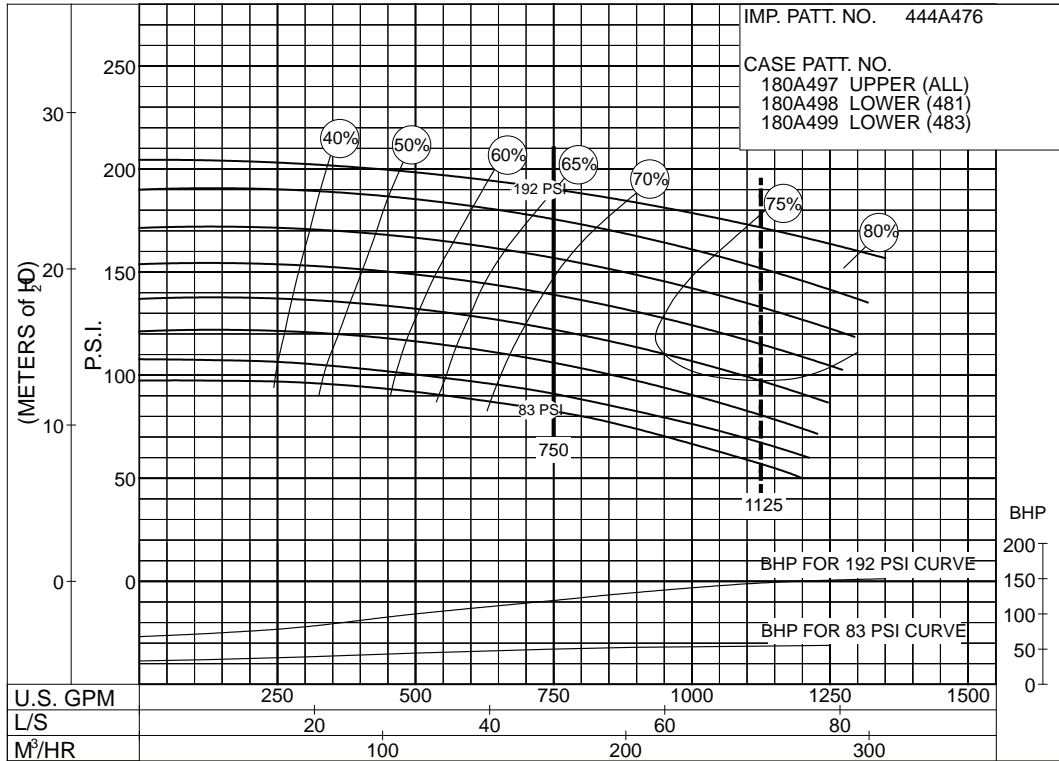
PC-148512

65 to 192 P.S.I.



750 G.P.M. 912 SERIES ELECTRIC MOTOR DRIVE

SIZE : 4-481-11D/4-483-11D MODEL: 480 IMPELLER : Enclosed R. P. M. : 3560



83
to
192
P.S.I.

750 G.P.M. 912 SERIES

ELECTRIC MOTOR DRIVE

SIZE : 4-481-15 / 4-483-15

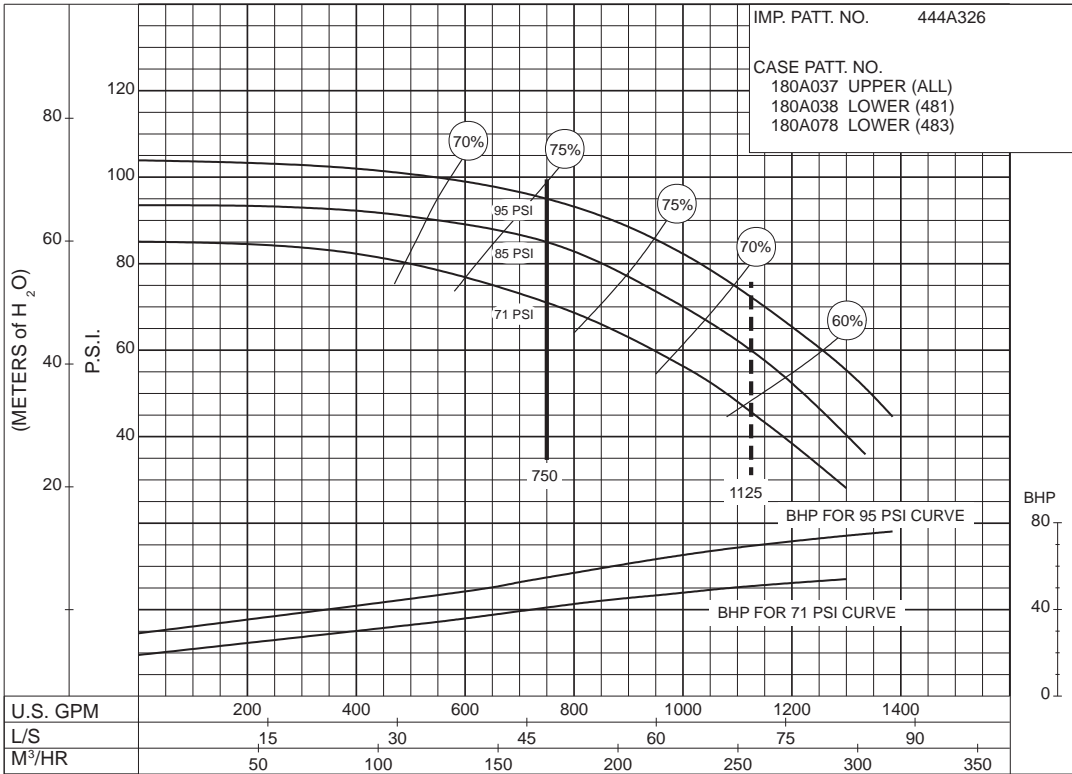
MODEL: 480

IMPELLER : Enclosed

R. P. M. : 1770

IMP. PATT. NO. 444A326

CASE PATT. NO.
 180A037 UPPER (ALL)
 180A038 LOWER (481)
 180A078 LOWER (483)



71 to 95 P.S.I.

PC-117431

SIZE : 5-481-15 / 5-483-15

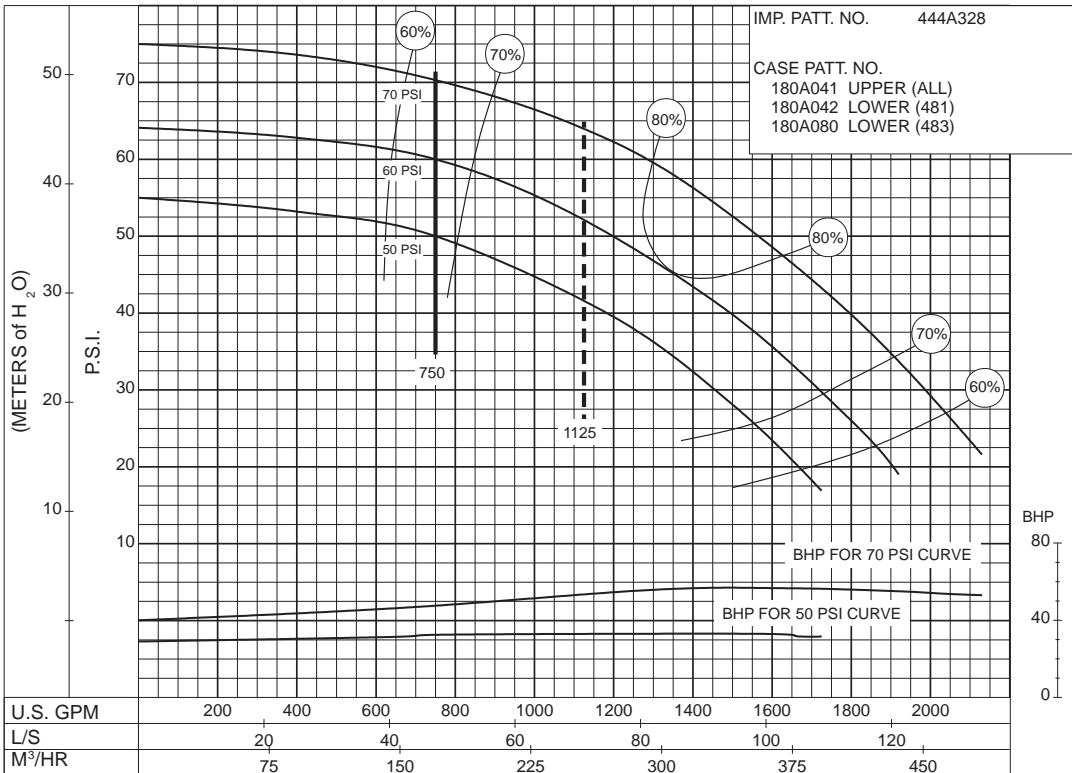
MODEL: 480

IMPELLER : Enclosed

R. P. M. : 1770

IMP. PATT. NO. 444A328

CASE PATT. NO.
 180A041 UPPER (ALL)
 180A042 LOWER (481)
 180A080 LOWER (483)



50 to 70 P.S.I.

PC-117430

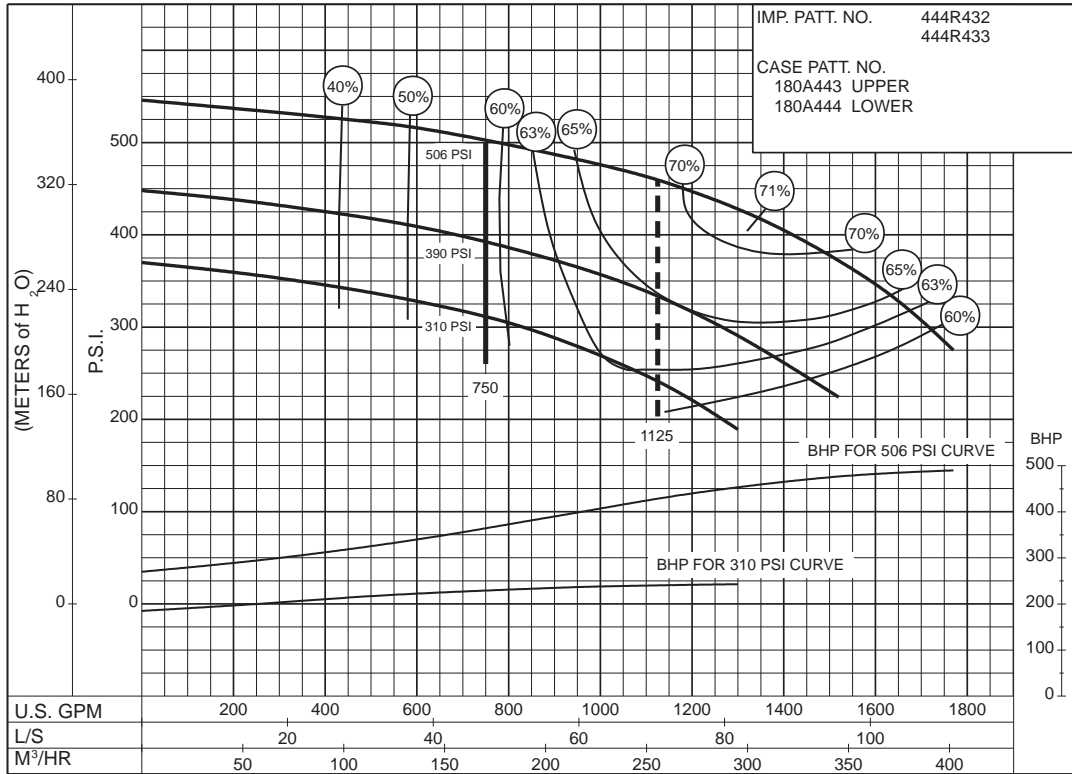
750 G.P.M. 912 SERIES ELECTRIC MOTOR DRIVE

SIZE : 6-485-12

MODEL: 480

IMPELLER : Enclosed

R. P. M. : 3550

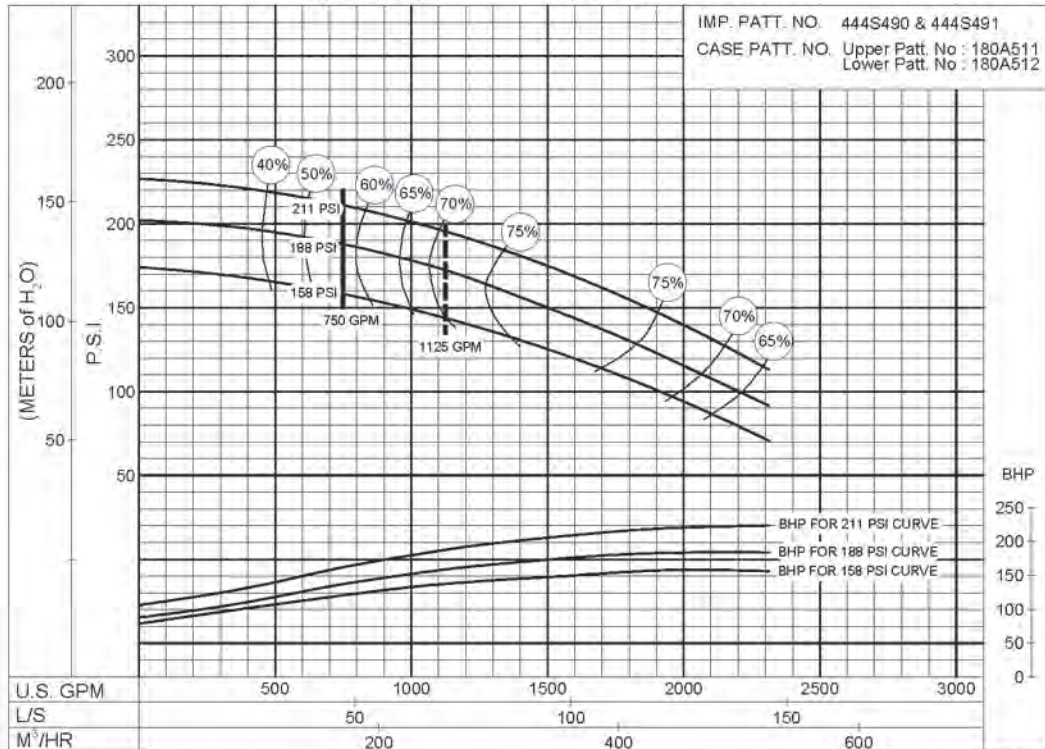


SIZE: 6-485-16

MODEL: 485

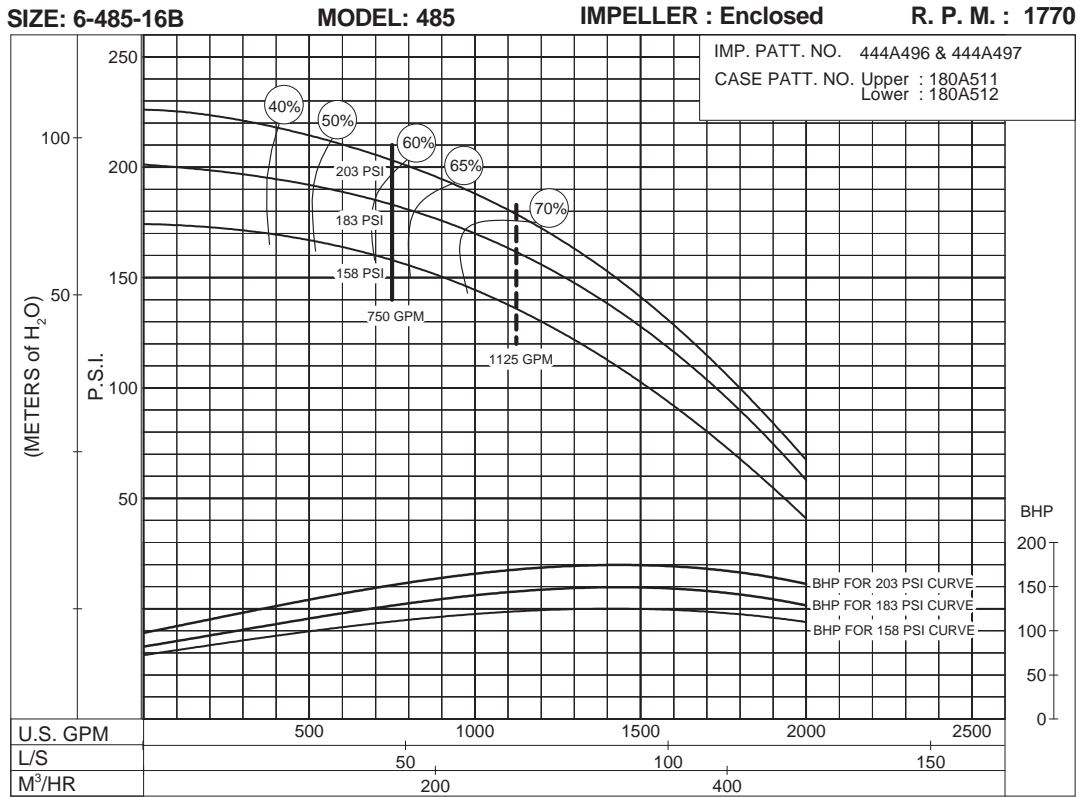
IMPELLER : Enclosed

R. P. M. : 1780



750 G.P.M. 912 SERIES
 ELECTRIC MOTOR DRIVE

Supersedes Section 912 Page 410.2
 Dated July 2001



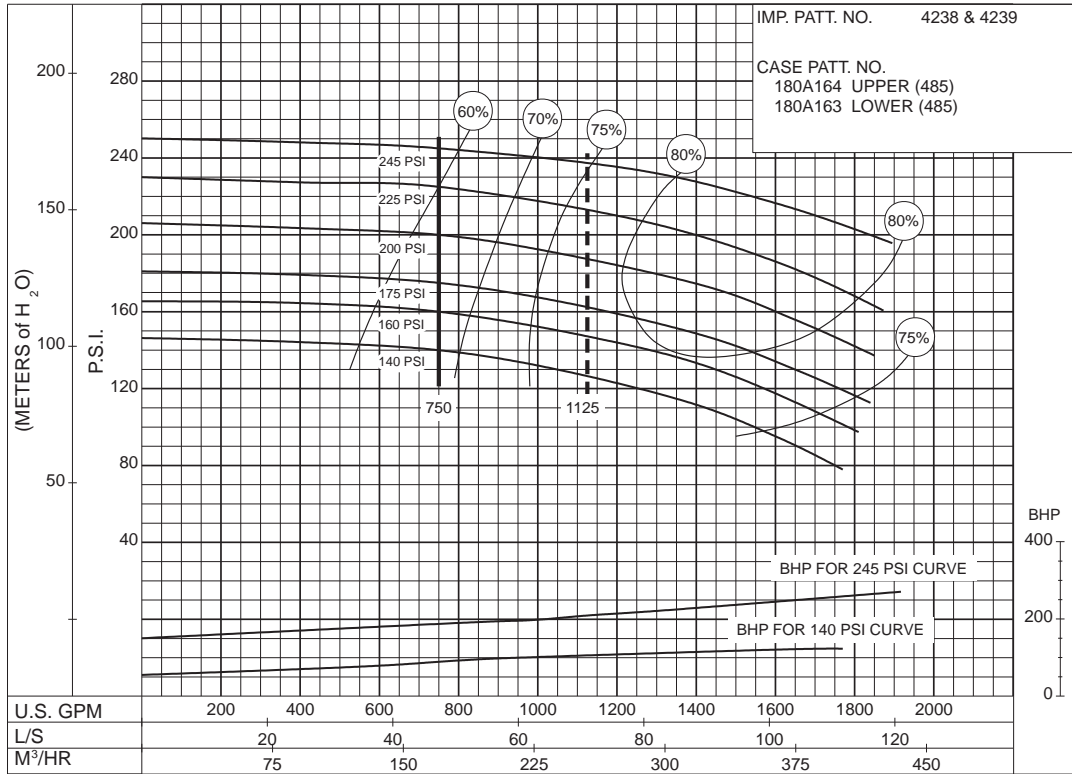
750 G.P.M. 912 SERIES ELECTRIC MOTOR DRIVE

SIZE : 6-485-17A

MODEL: 480

IMPELLER : Enclosed

R. P. M. : 1770



PC-153362

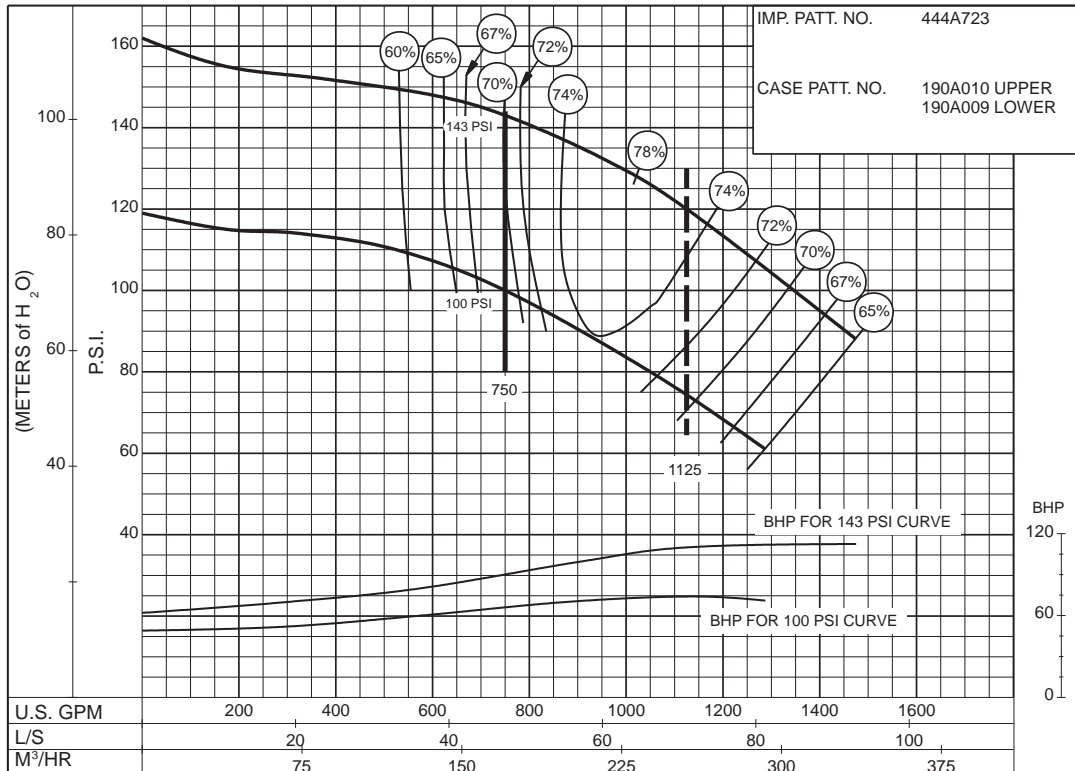
140 to 245 P.S.I.

SIZE : 4-491-11A

MODEL: 491

IMPELLER : Enclosed

R. P. M. : 3550



PC-168440

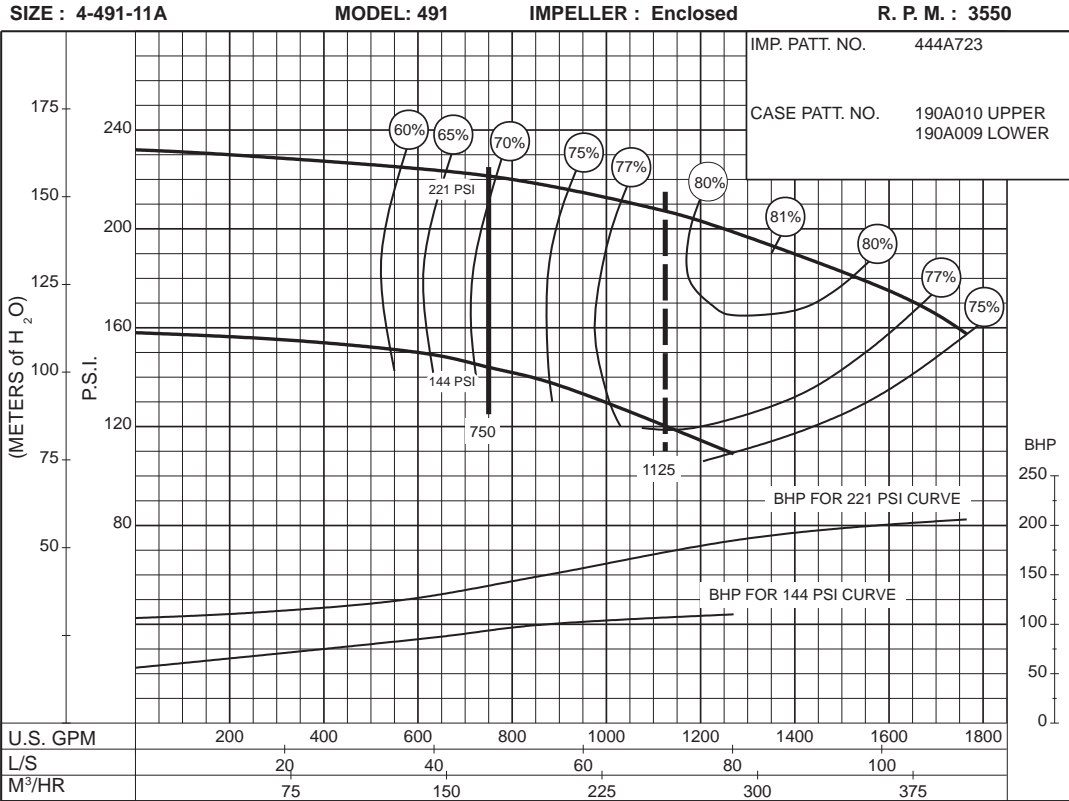
100 to 143 P.S.I.



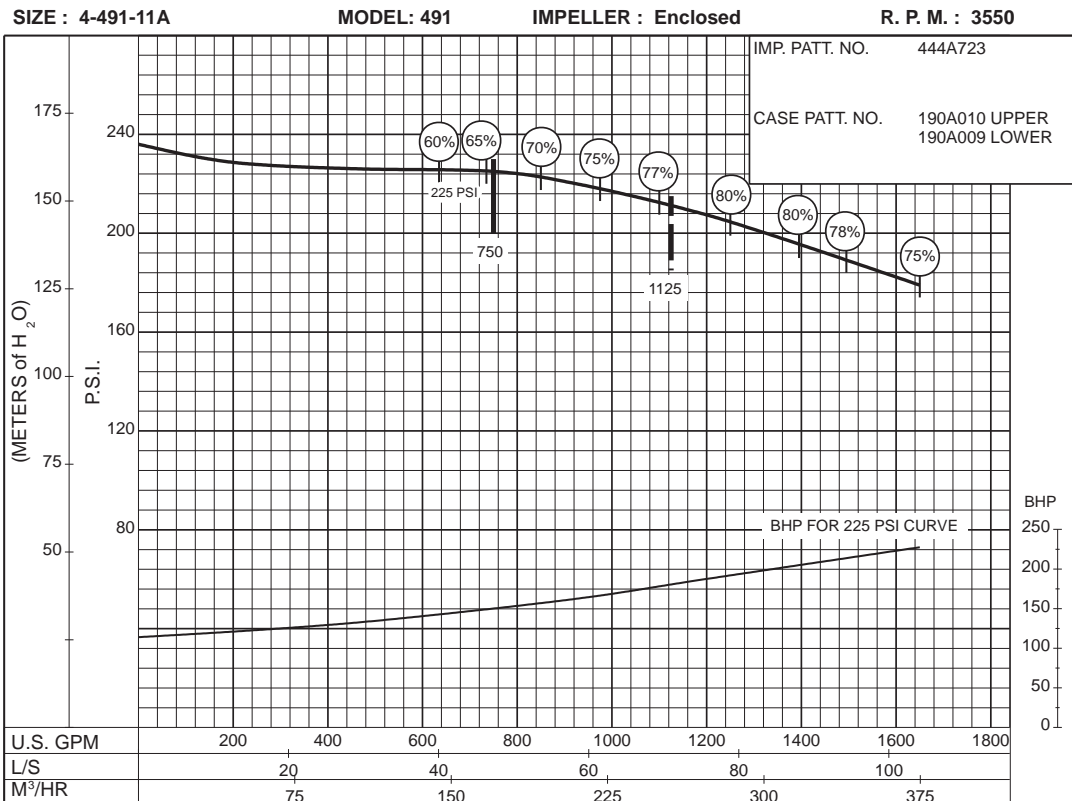
AURORA®

750 G.P.M. 912 SERIES

ELECTRIC MOTOR DRIVE



144
to
221
P.S.I.



225
P.S.I.

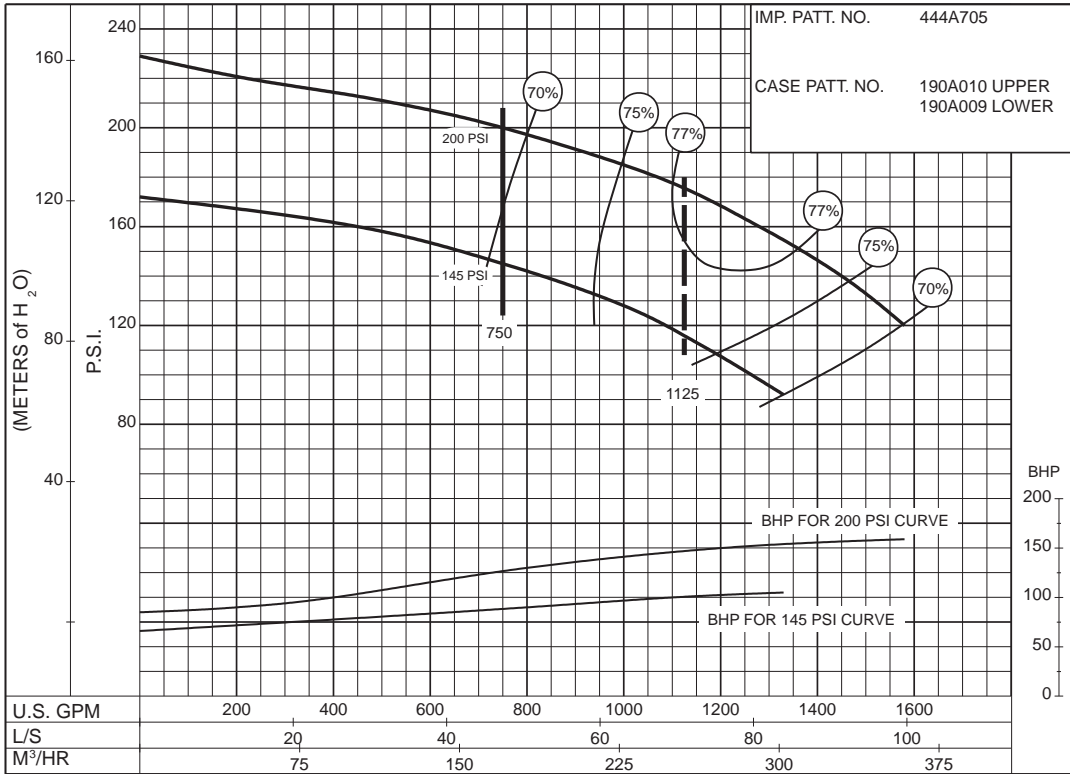
750 G.P.M. 912 SERIES ELECTRIC MOTOR DRIVE

SIZE : 4-491-11C

MODEL: 491

IMPELLER : Enclosed

R. P. M. : 3550



PC-168441

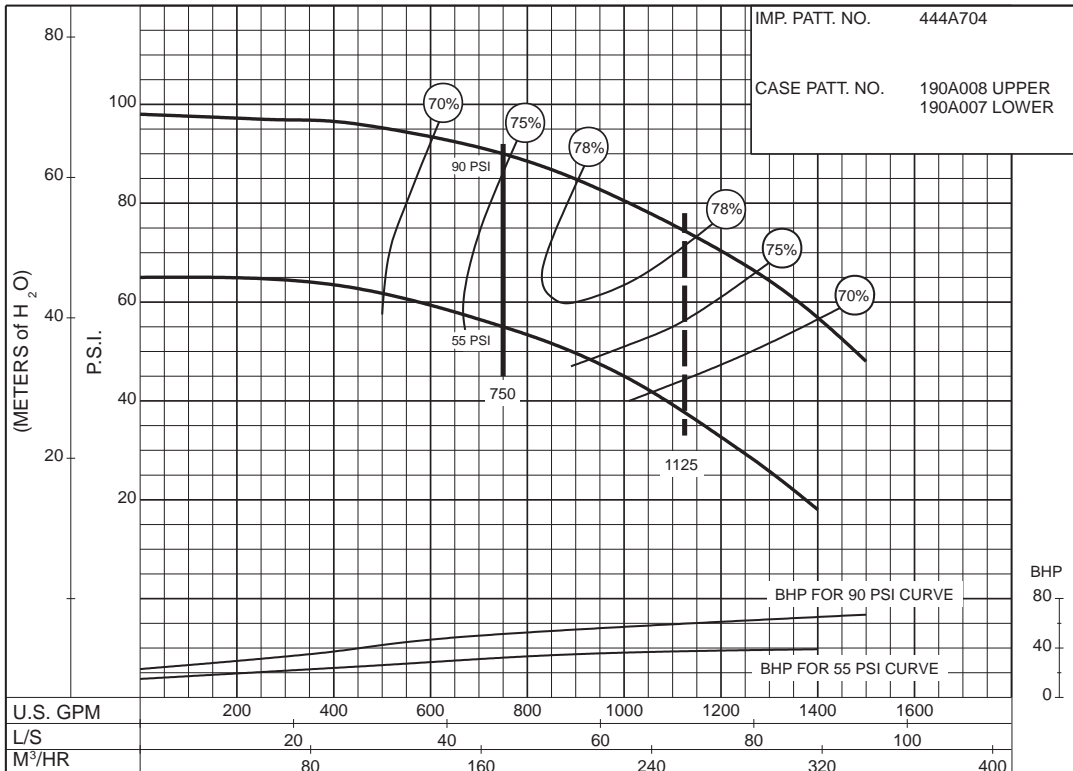
145 to 200 P.S.I.

SIZE : 4-491-14C

MODEL: 491

IMPELLER : Enclosed

R. P. M. : 1770



PC-168443

55 to 90 P.S.I.



AURORA®

750 G.P.M. 912 SERIES

ELECTRIC MOTOR DRIVE

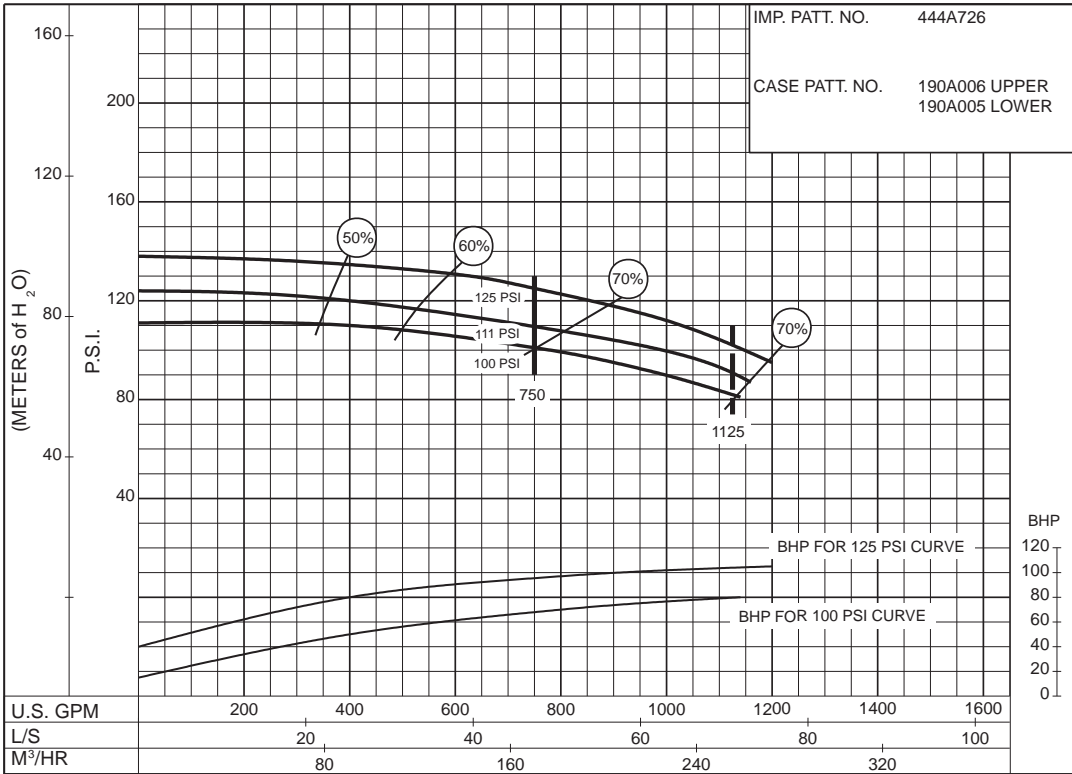
SIZE : 4-492-18

MODEL: 492

IMPELLER : Enclosed

R. P. M. : 1770

IMP. PATT. NO.	444A726
CASE PATT. NO.	190A006 UPPER 190A005 LOWER



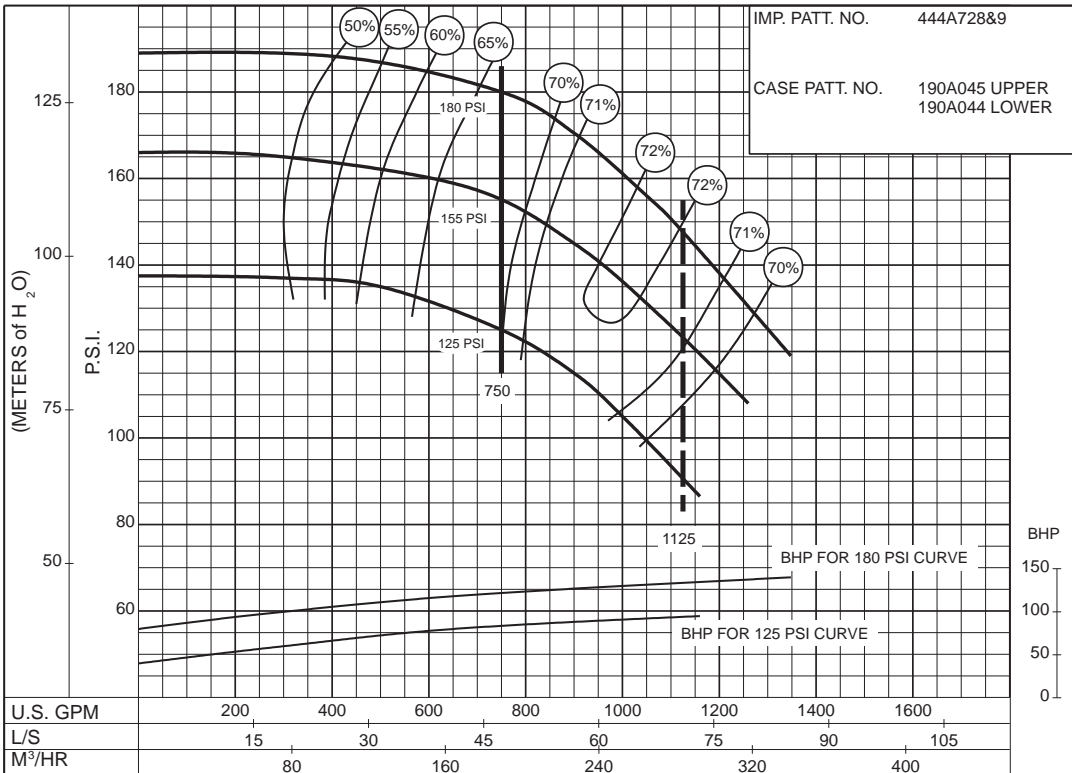
SIZE : 5-495-15

MODEL: 495

IMPELLER : Enclosed

R. P. M. : 1770

IMP. PATT. NO.	444A728&9
CASE PATT. NO.	190A045 UPPER 190A044 LOWER



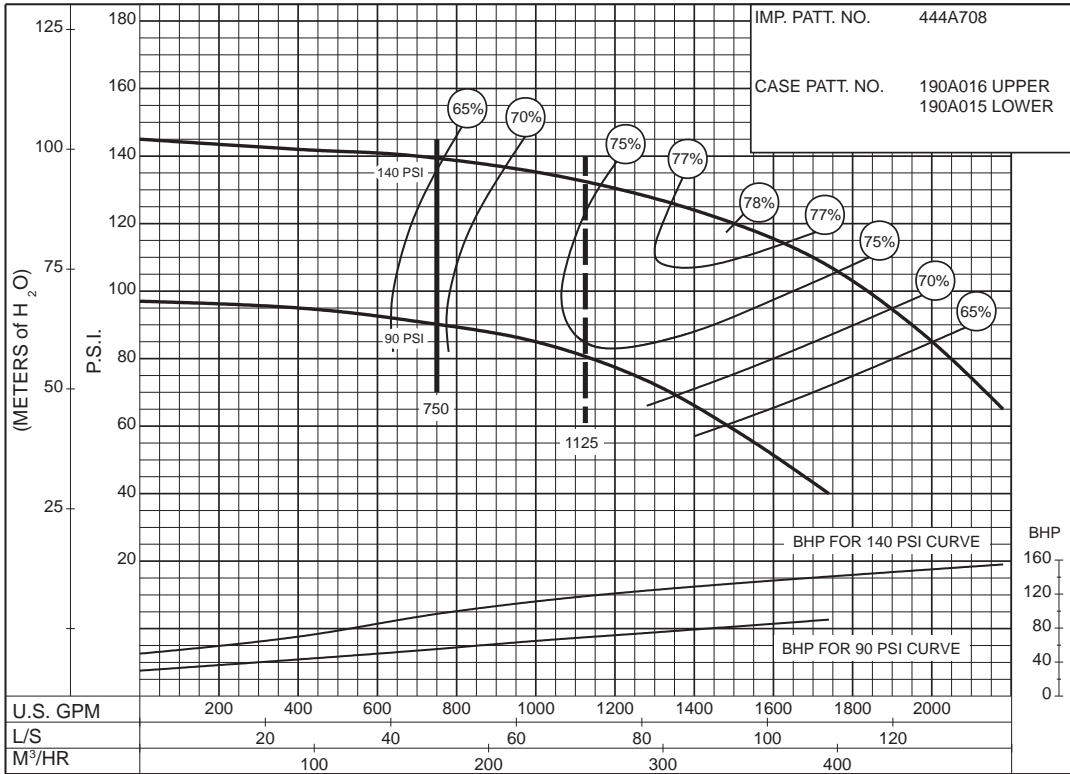
750 G.P.M. 912 SERIES ELECTRIC MOTOR DRIVE

SIZE : 5-491-18A

MODEL: 491

IMPELLER : Enclosed

R. P. M. : 1770



PC-168446

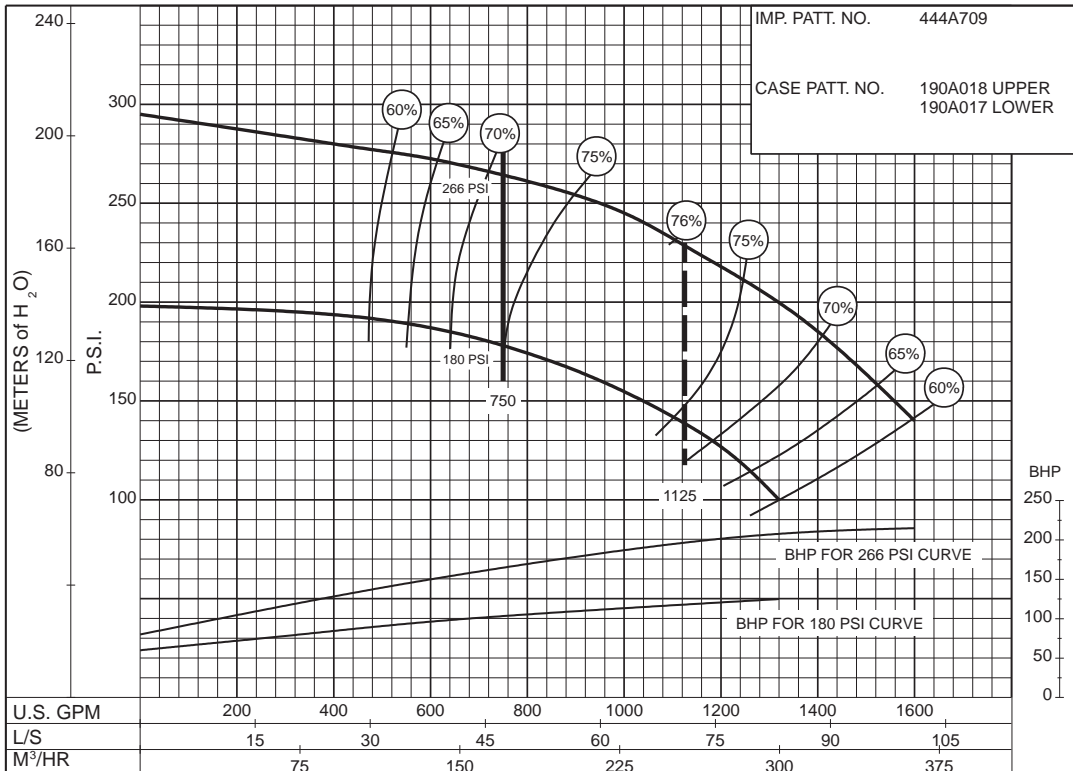
90 to 140 P.S.I.

SIZE : 6-491-12A

MODEL: 491

IMPELLER : Enclosed

R. P. M. : 3565



PC-168447

180 to 266 P.S.I.



AURORA®

Section 912 Page 416

Date April 2000

Supersedes Section 912 Page 416

Dated June 1999

THIS PAGE LEFT INTENTIONALLY BLANK

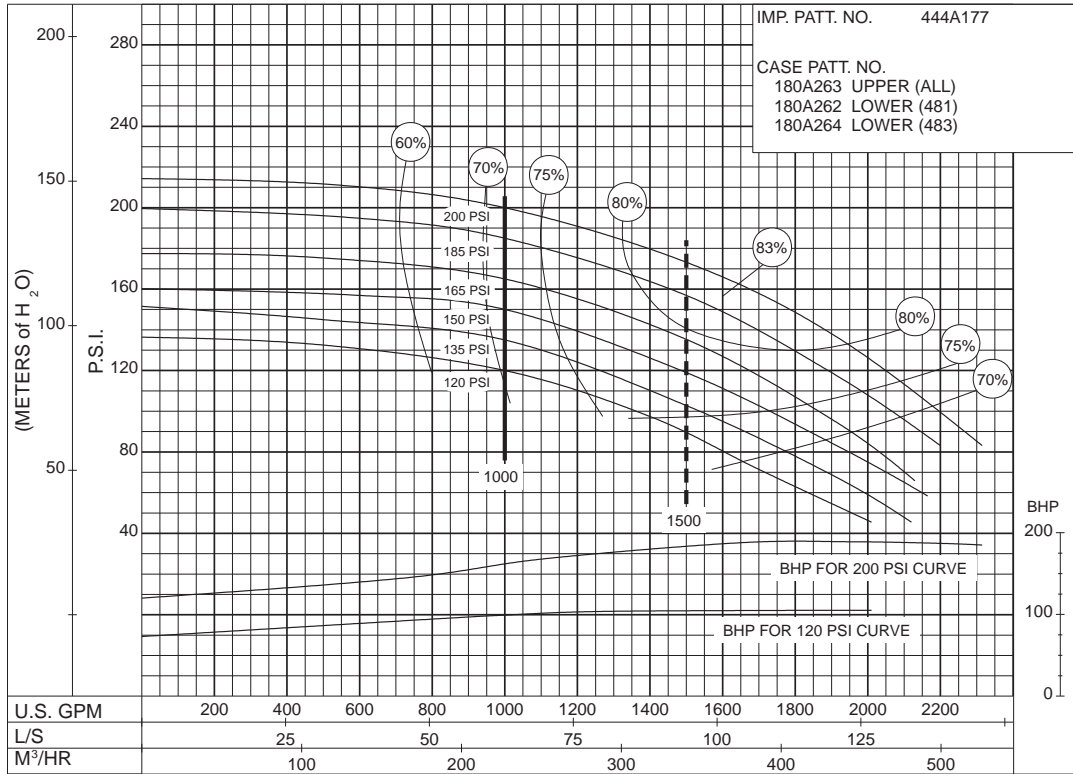
1000 G.P.M. 912 SERIES ELECTRIC MOTOR DRIVE

SIZE : 5-481-11B / 5-483-11B

MODEL: 480

IMPELLER : Enclosed

R. P. M. : 3560

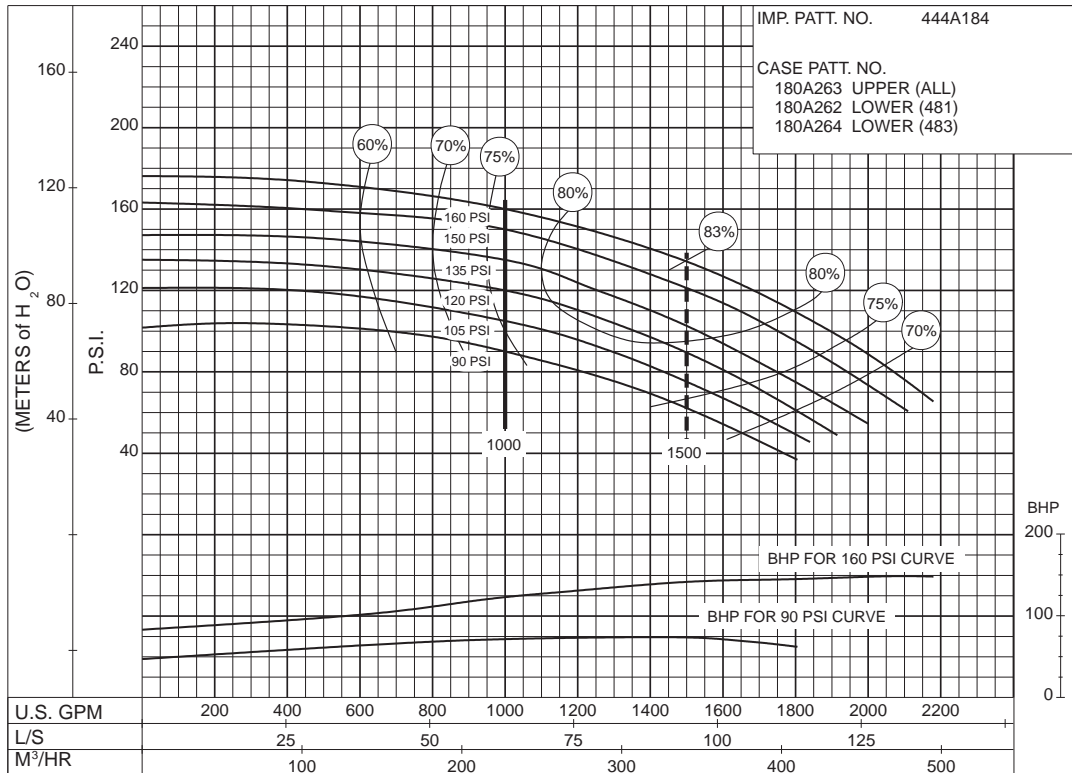


SIZE : 5-481-11C / 5-483-11C

MODEL: 480

IMPELLER : Enclosed

R. P. M. : 3560



AURORA®

1000 G.P.M. 912 SERIES

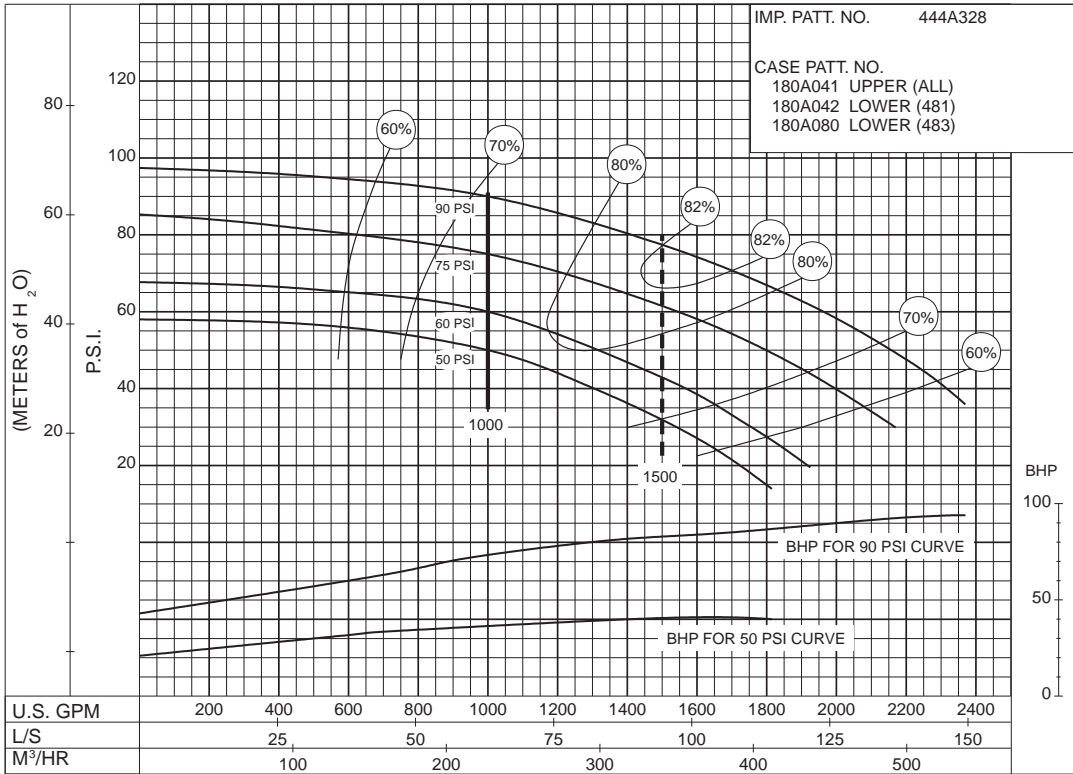
ELECTRIC MOTOR DRIVE

SIZE : 5-481-15 / 5-483-15

MODEL: 480

IMPELLER : Enclosed

R. P. M. : 1770



PC-119725

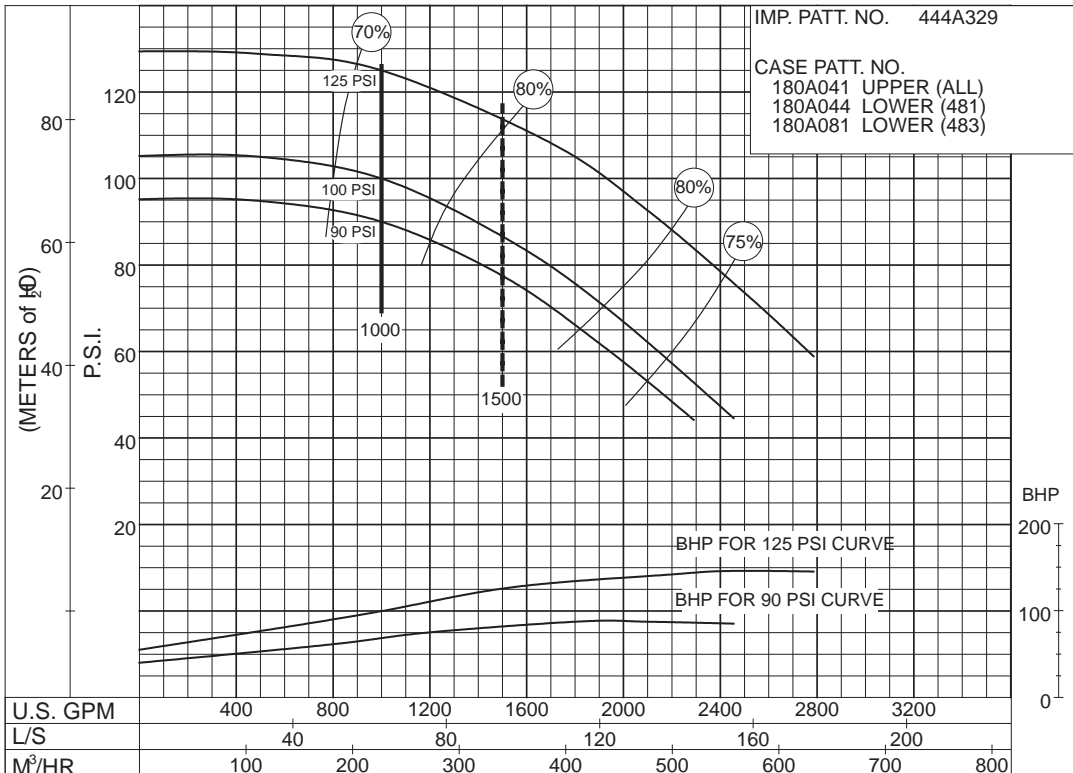
50
to
90
P.S.I.

SIZE : 5-481-17 / 5-483-17

MODEL: 480

IMPELLER : Enclosed

R. P. M. : 1770



PC-119726

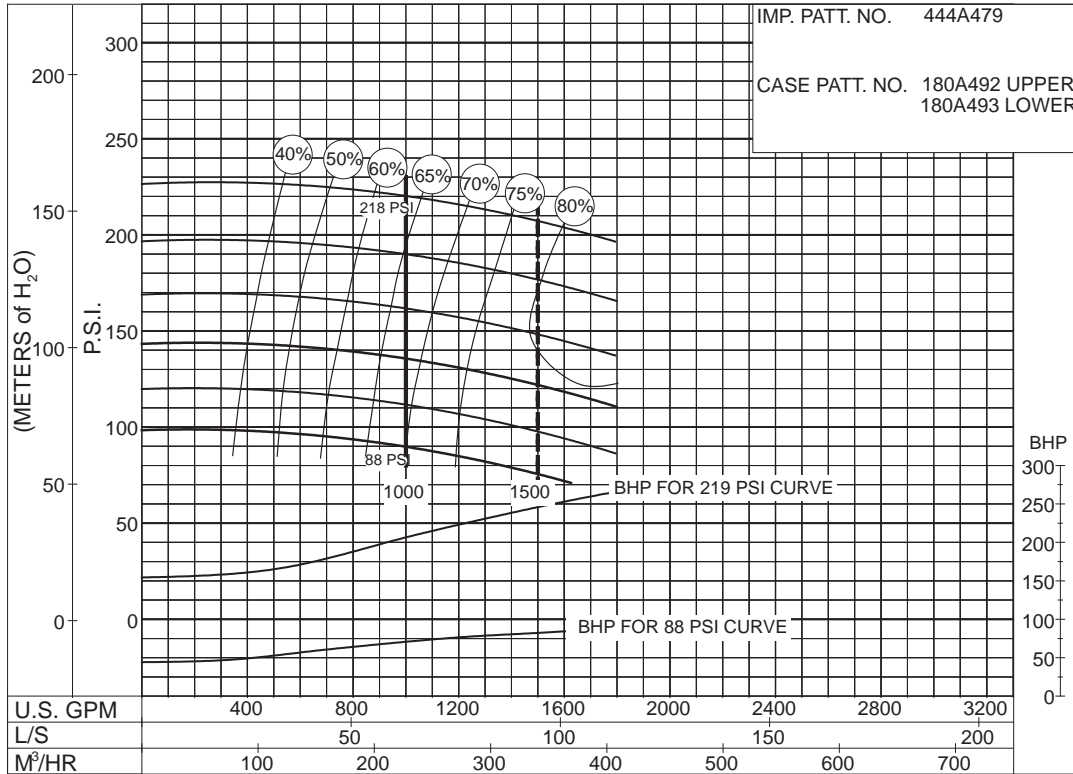
90
to
125
P.S.I.

1000 G.P.M. 912 SERIES
ELECTRIC MOTOR DRIVE

SIZE : 6-481-11HH

MODEL: 480 IMPELLER : Enclosed

R. P. M. : 3560



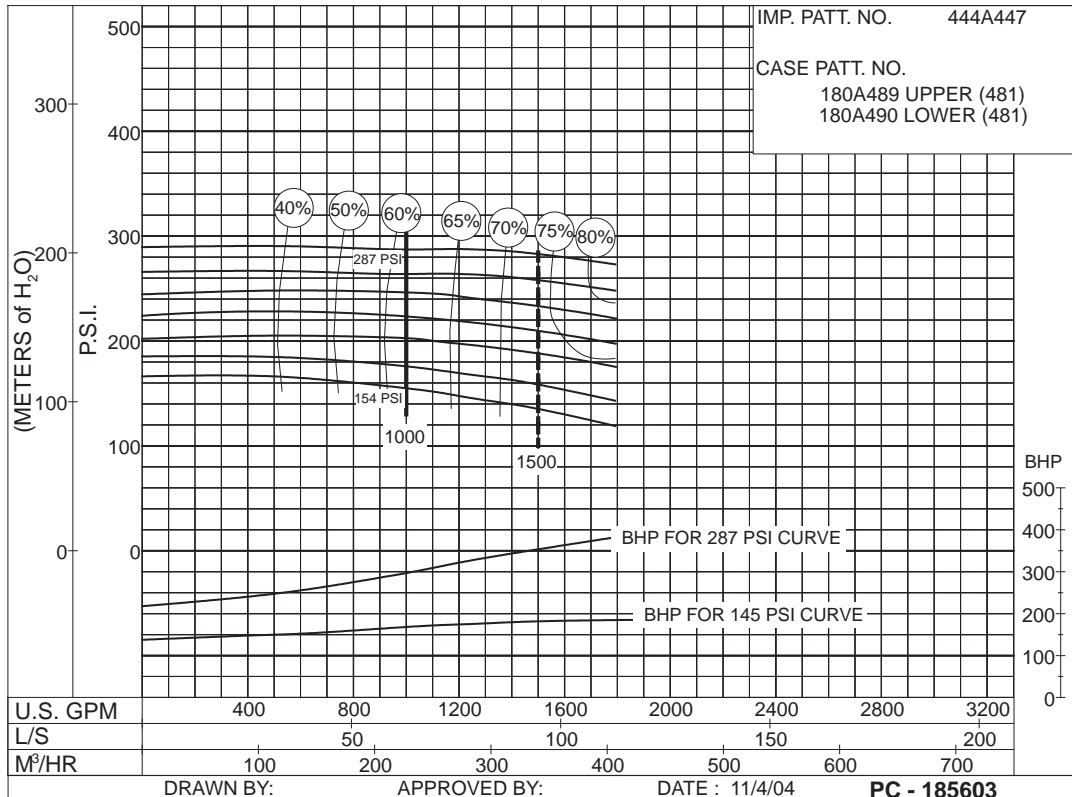
PC - 186044

88
to
218
P.S.I.

SIZE : 6-481-14HH

MODEL: 480 IMPELLER : Enclosed

R. P. M. : 3560



DRAWN BY:

APPROVED BY:

DATE : 11/4/04

PC - 185603

154
to
287
P.S.I.

THIS PAGE LEFT INTENTIONALLY BLANK

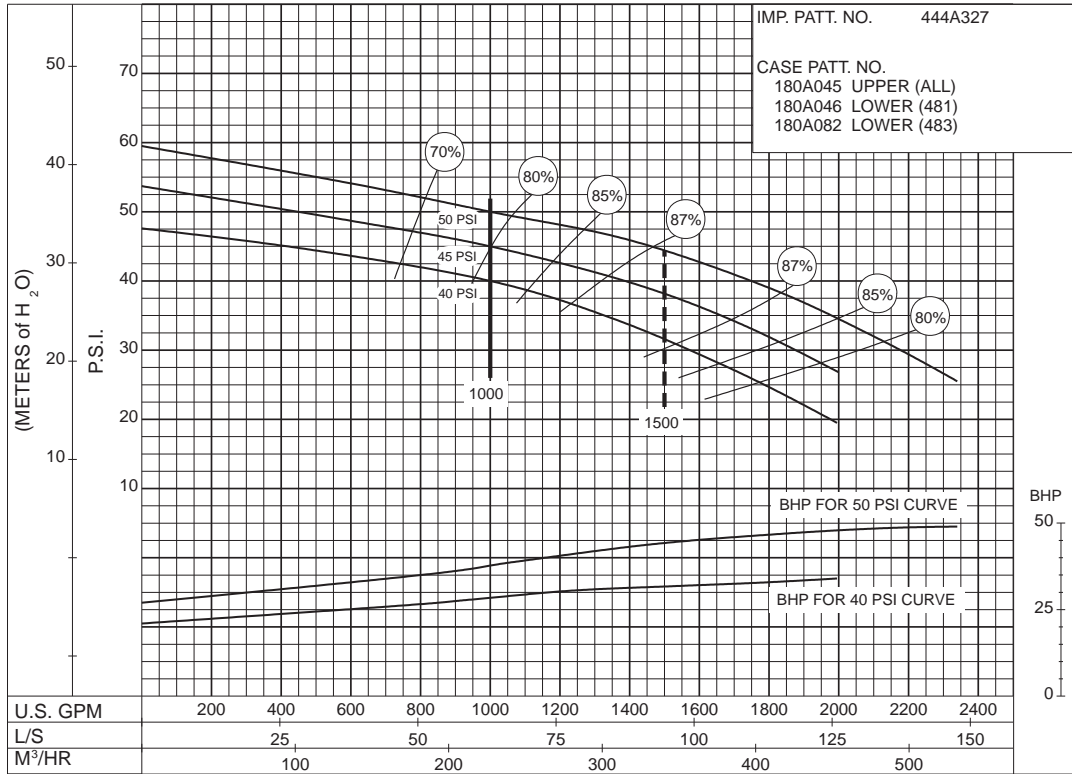
1000 G.P.M. 912 SERIES ELECTRIC MOTOR DRIVE

SIZE : 6-481-11 / 6-483-11

MODEL: 480

IMPELLER : Enclosed

R. P. M. : 1770



40 to 50 P.S.I.

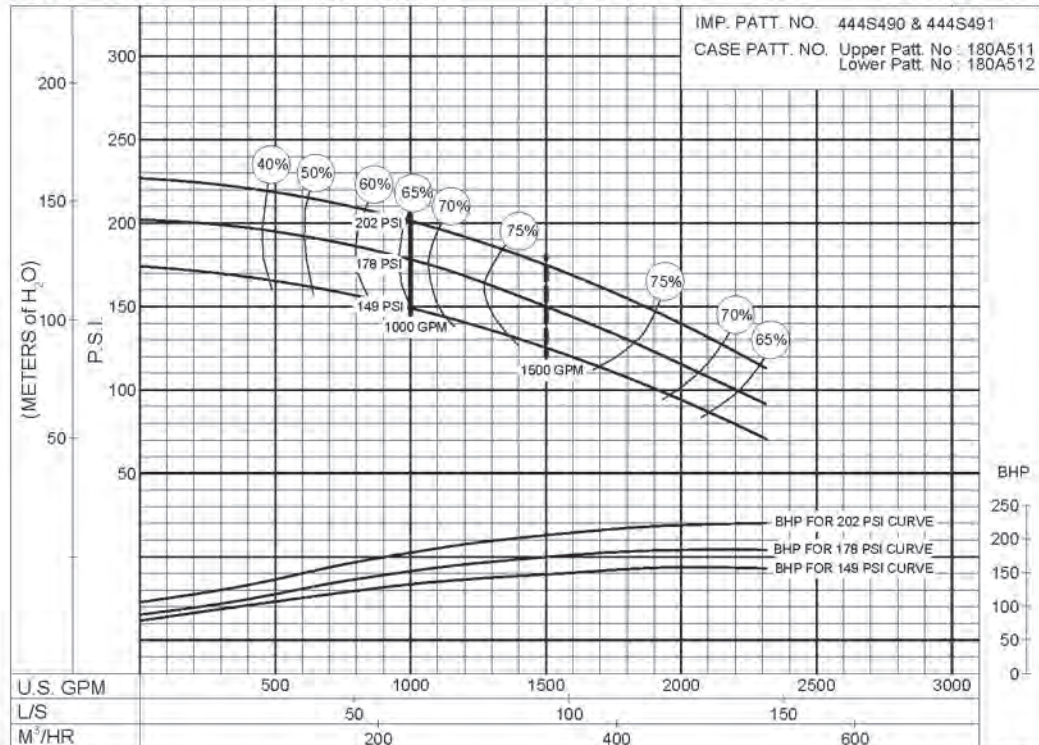
PC-117433

SIZE: 6-485-16

MODEL: 485

IMPELLER : Enclosed

R. P. M. : 1780



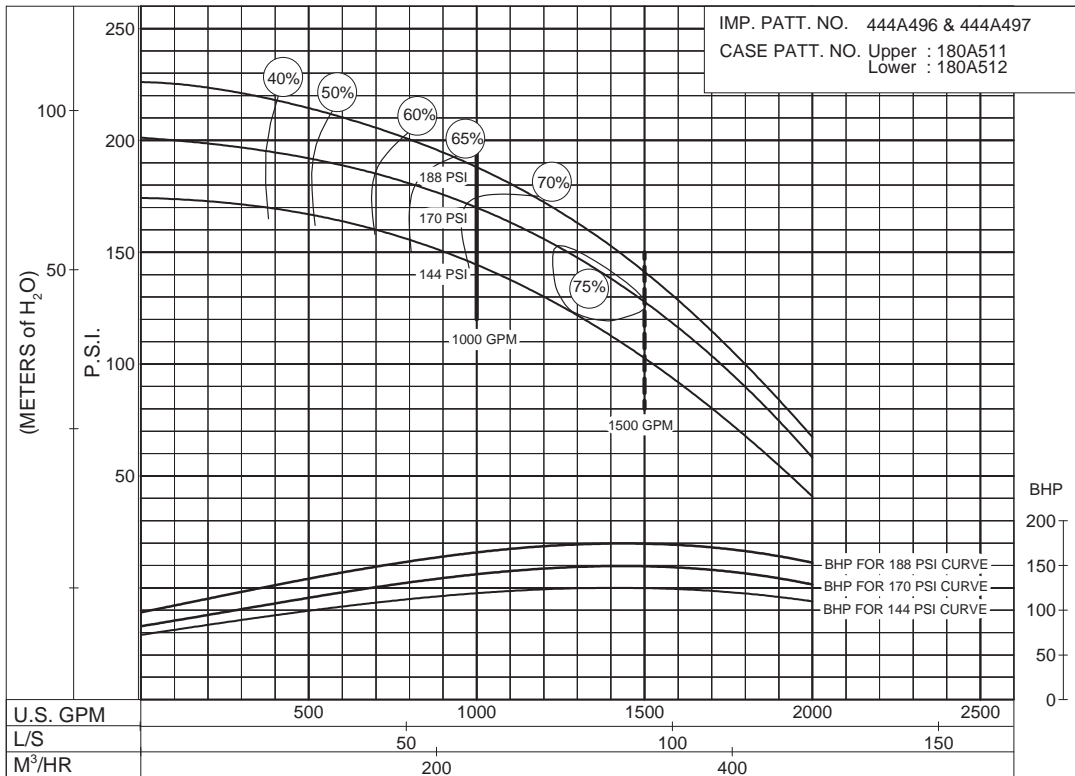
149 to 202 P.S.I.

PC- 200247

1000 G.P.M. 912 SERIES

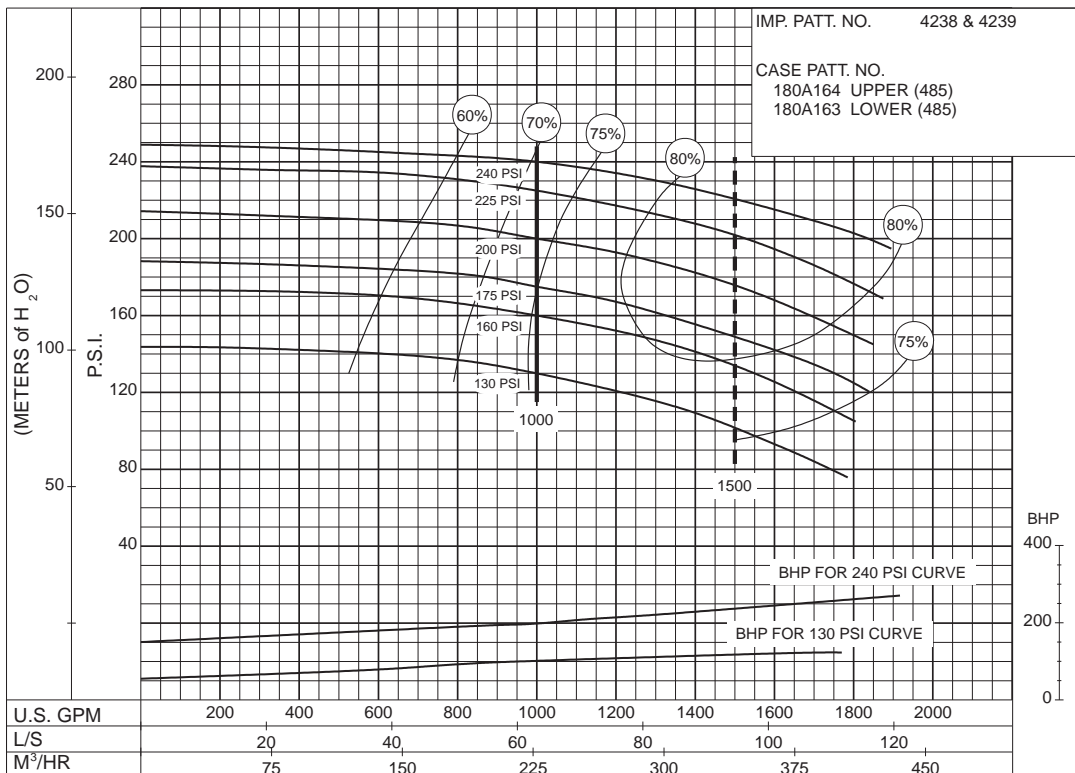
ELECTRIC MOTOR DRIVE

SIZE: 6-485-16B MODEL: 485 IMPELLER : Enclosed R. P. M. : 1770



PC-204622

SIZE : 6-485-17A MODEL: 480 IMPELLER : Enclosed R. P. M. : 1770

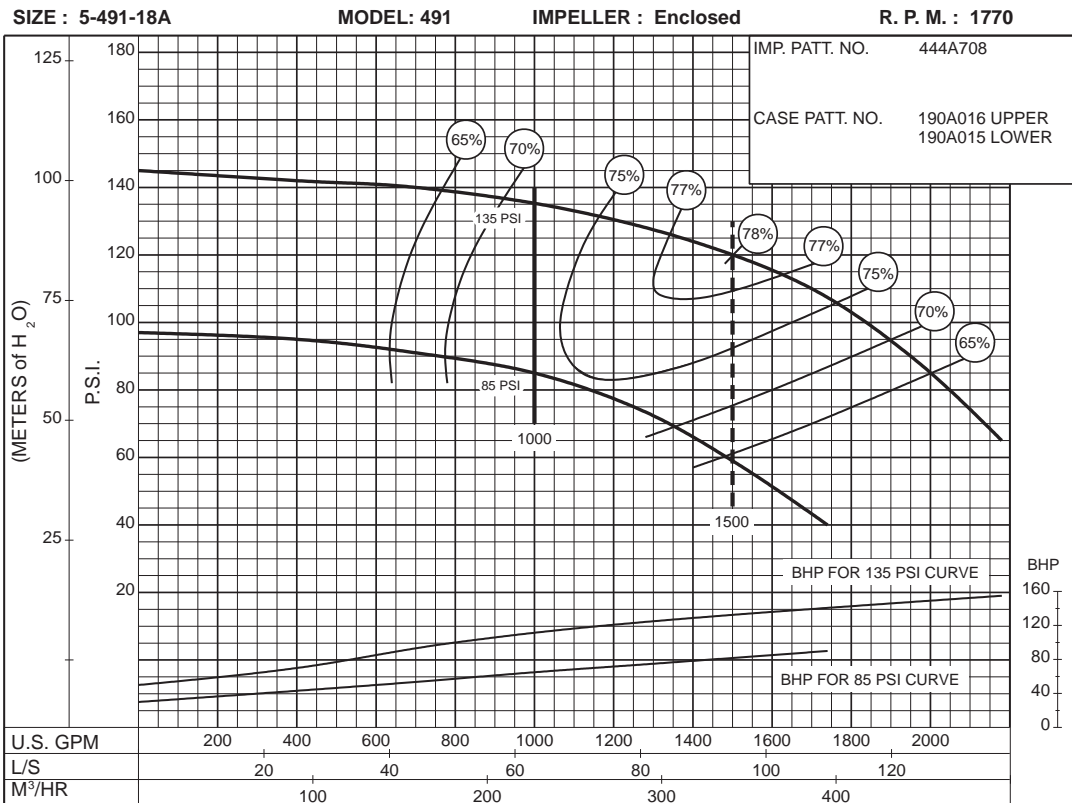
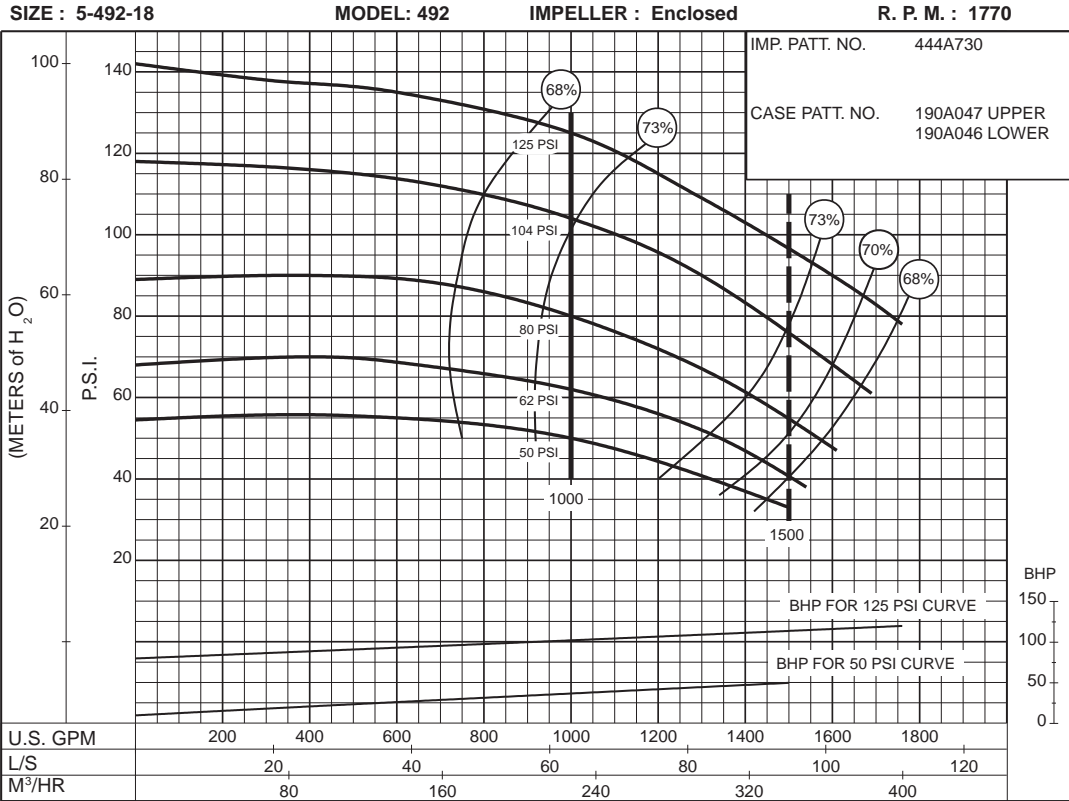


PC-153363

THIS PAGE LEFT INTENTIONALLY BLANK

1000 G.P.M. 912 SERIES

ELECTRIC MOTOR DRIVE



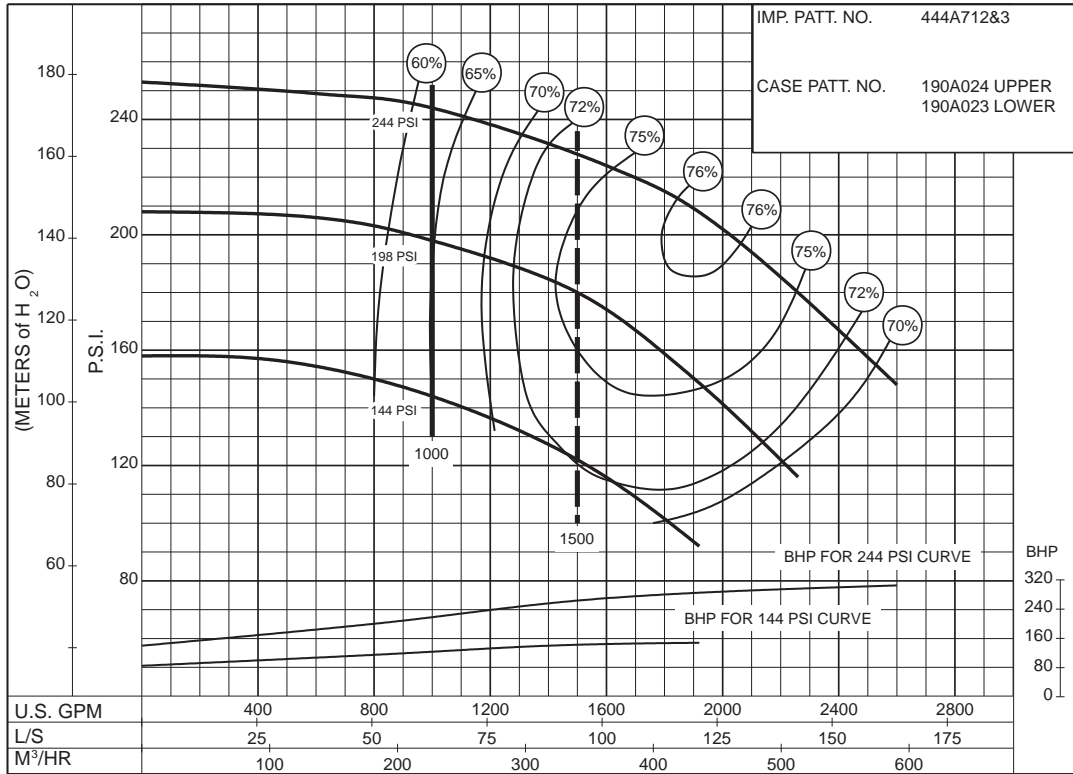
1000 G.P.M. 912 SERIES ELECTRIC MOTOR DRIVE

SIZE : 6-495-17

MODEL: 495

IMPELLER : Enclosed

R. P. M. : 1770



144
to
244
P.S.I.

PC-168450

Section 912 Page 422

Date April 2000

Supersedes Section 912 Page 422

Dated June 1999

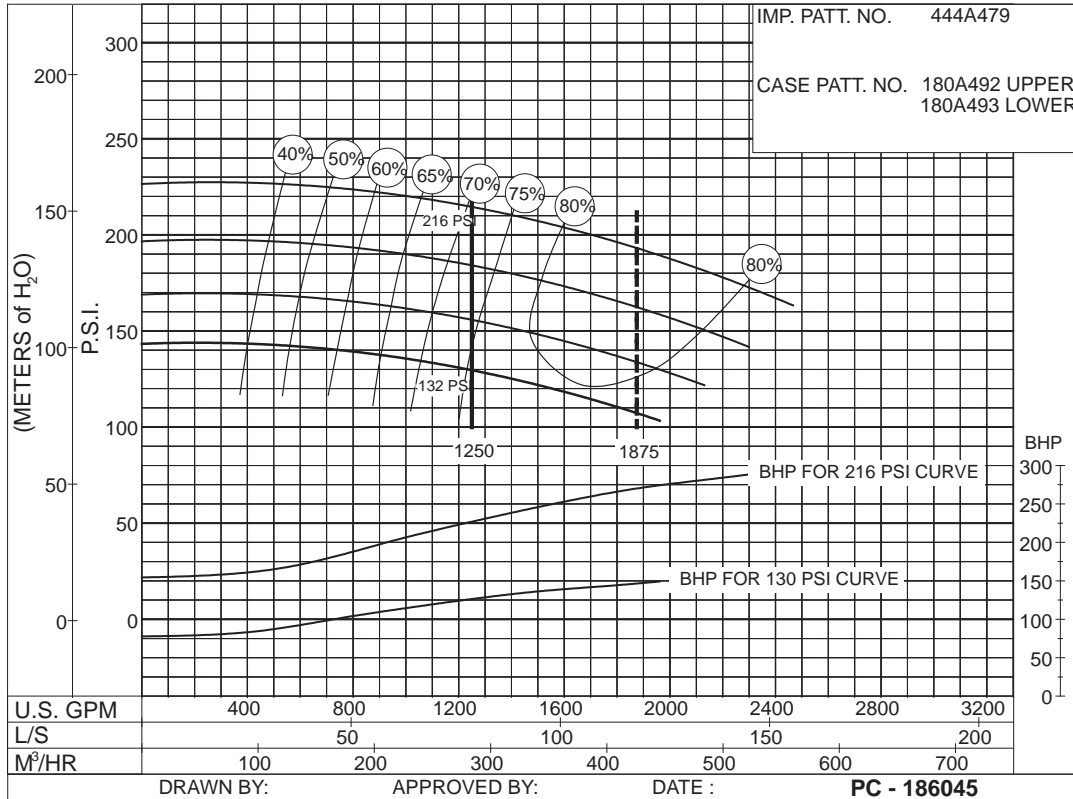
THIS PAGE LEFT INTENTIONALLY BLANK

1250 G.P.M. 912 SERIES
ELECTRIC MOTOR DRIVE

SIZE : 6-481-11HH

MODEL: 480 IMPELLER : Enclosed

R. P. M. : 3560

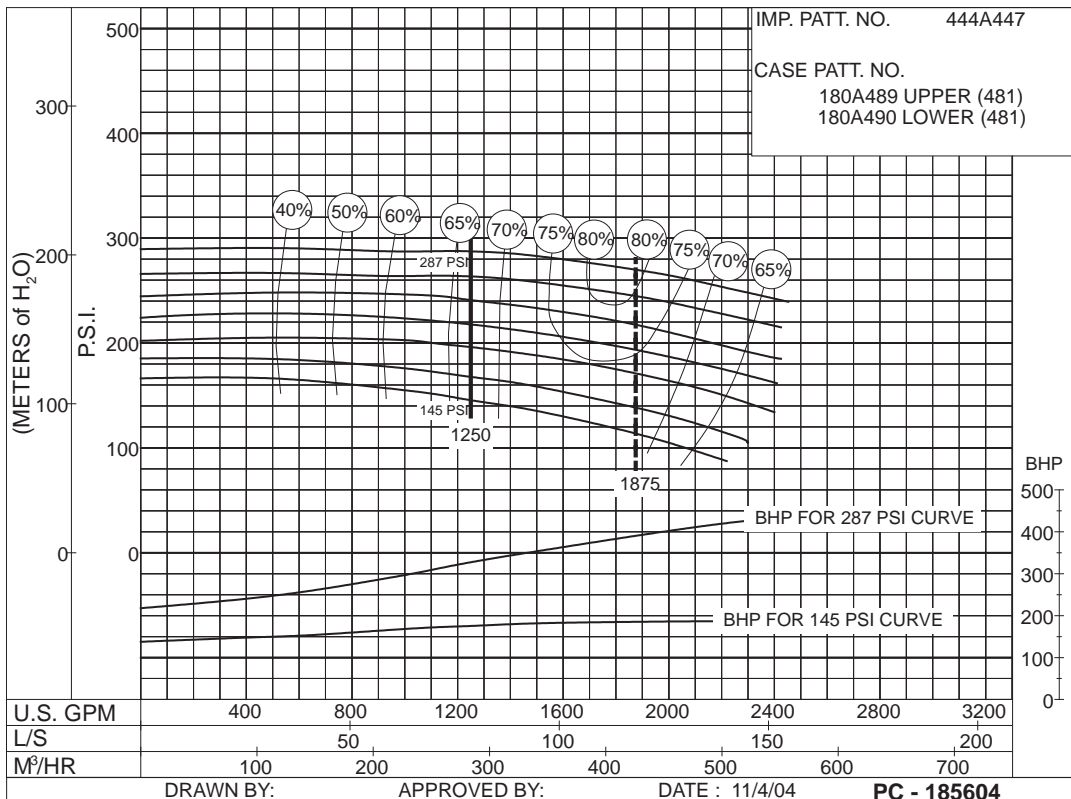


132
to
216
P.S.I.

SIZE : 6-481-14HH

MODEL: 480 IMPELLER : Enclosed

R. P. M. : 3560



145
to
287
P.S.I.



AURORA®

THIS PAGE LEFT INTENTIONALLY BLANK

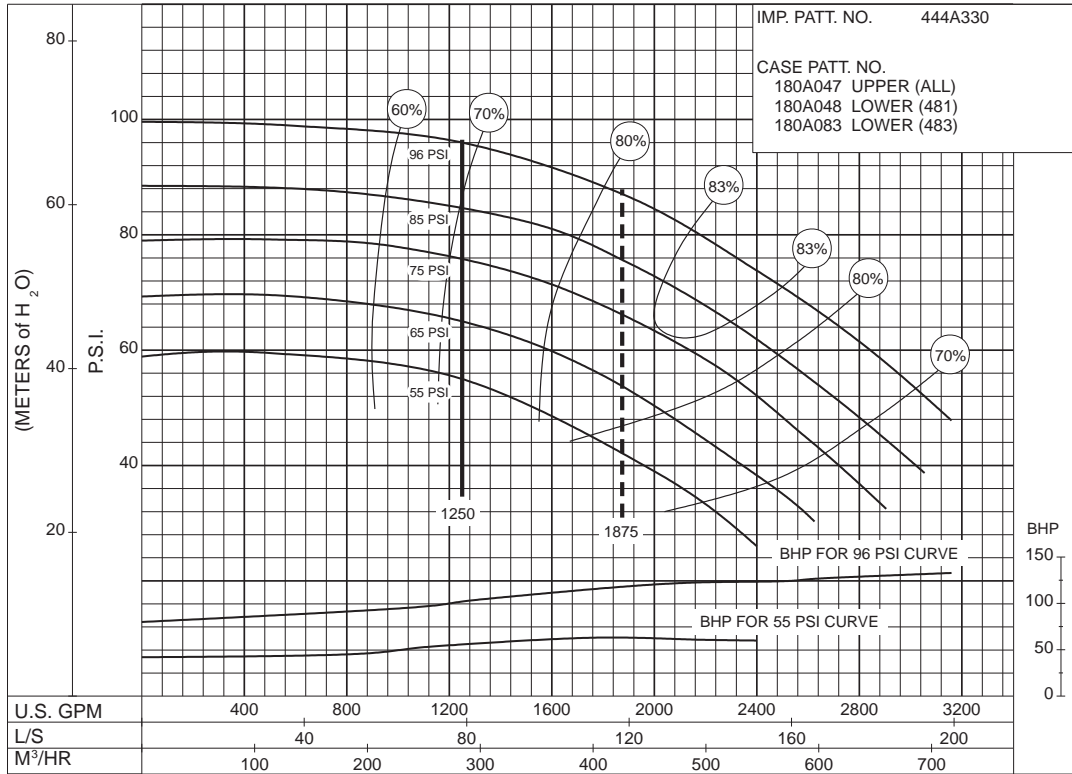
1250 G.P.M. 912 SERIES ELECTRIC MOTOR DRIVE

SIZE : 6-481-15 / 6-483-15

MODEL: 480

IMPELLER : Enclosed

R. P. M. : 1770



PC-147678

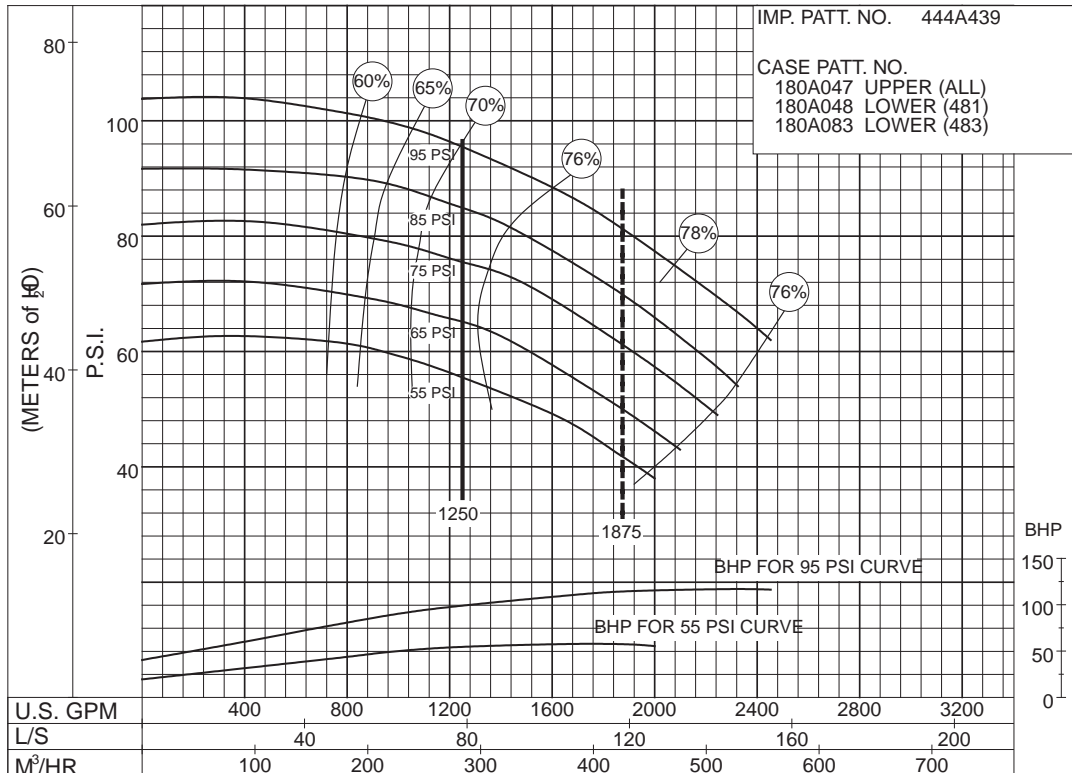
55 to 96 P.S.I.

SIZE : 6-481-15C / 6-483-15C

MODEL: 480

IMPELLER : Enclosed

R. P. M. : 1770

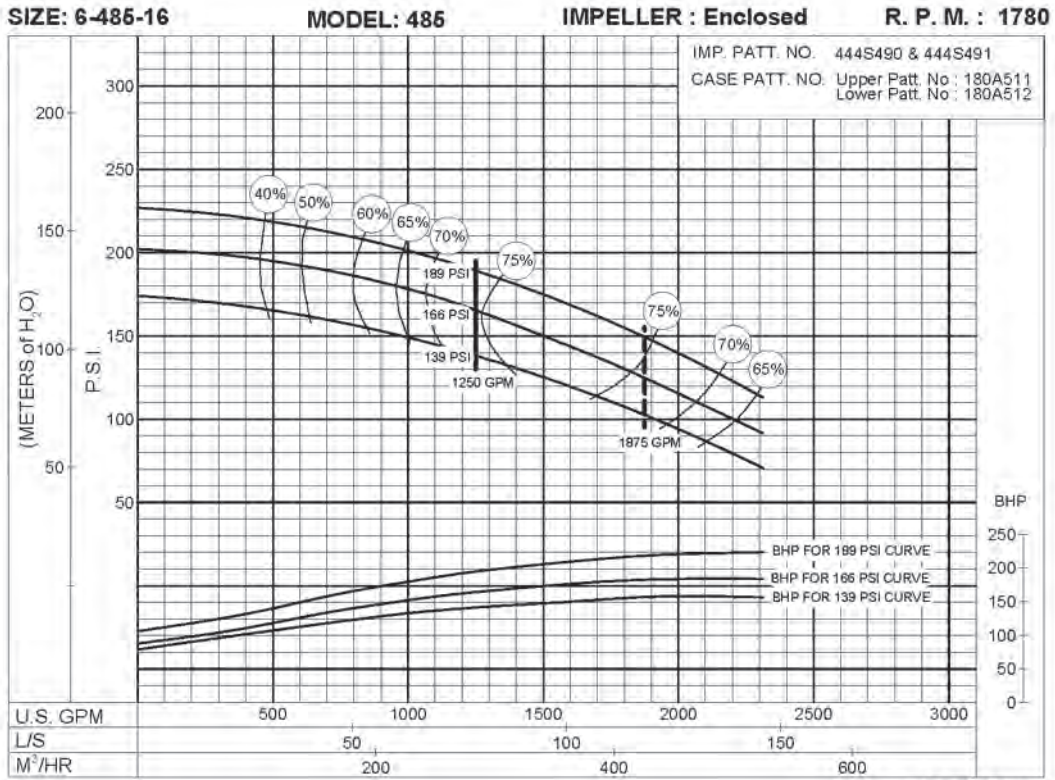


PC-179386

55 to 95 P.S.I.

1250 G.P.M. 912 SERIES
 ELECTRIC MOTOR DRIVE

Supersedes Section 912 Page 423.1
 Dated April 2003



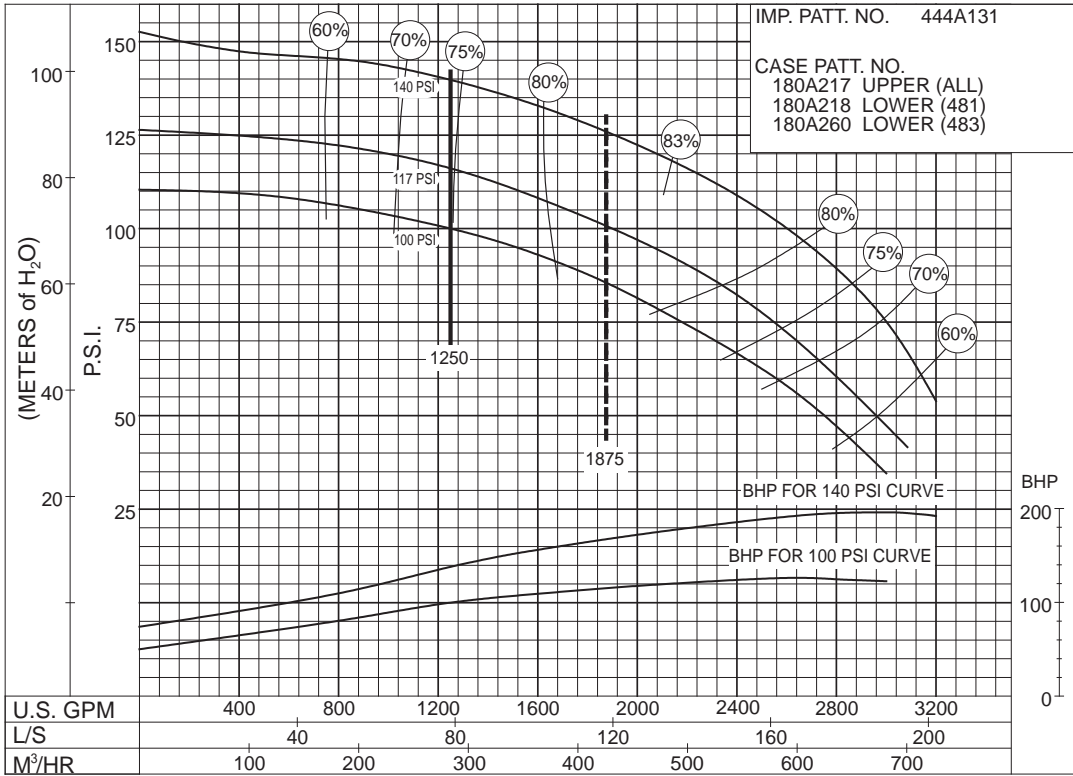
139
 to
 189
 P.S.I.

THIS PAGE LEFT INTENTIONALLY BLANK

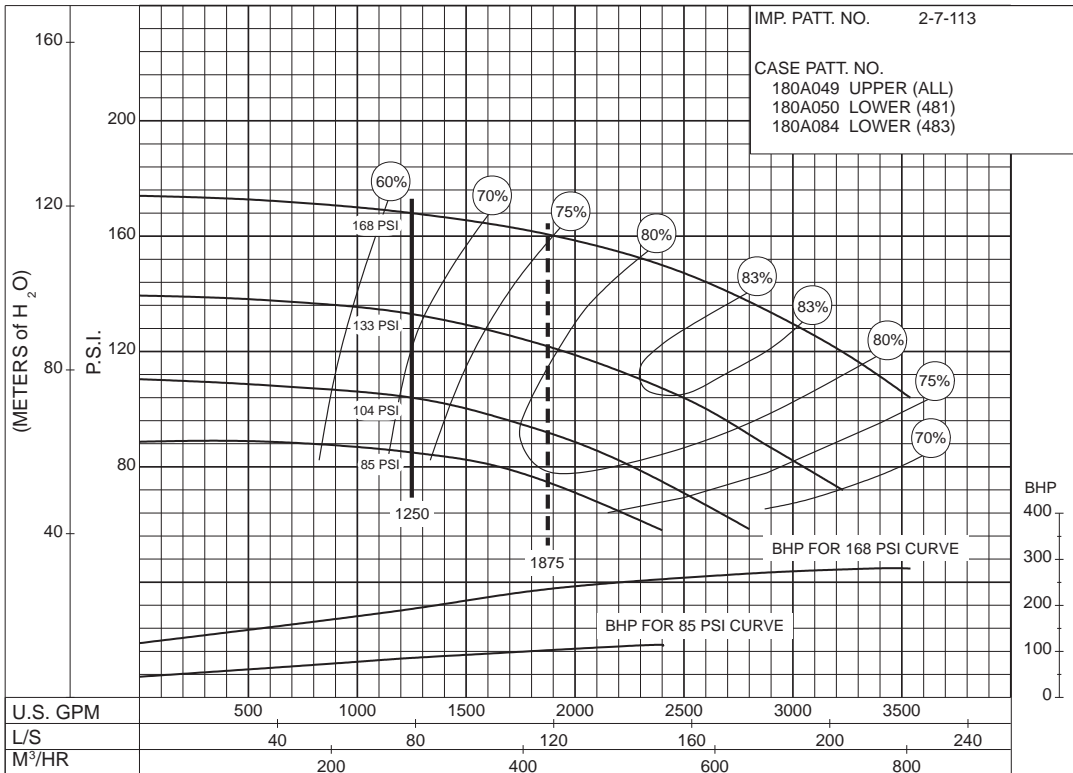
1250 G.P.M. 912 SERIES

ELECTRIC MOTOR DRIVE

SIZE : 6-481-18B / 6-483-18B MODEL: 480 IMPELLER : Enclosed R. P. M. : 1770



SIZE : 6-481-20 / 6-483-20 MODEL: 480 IMPELLER : Enclosed R. P. M. : 1770



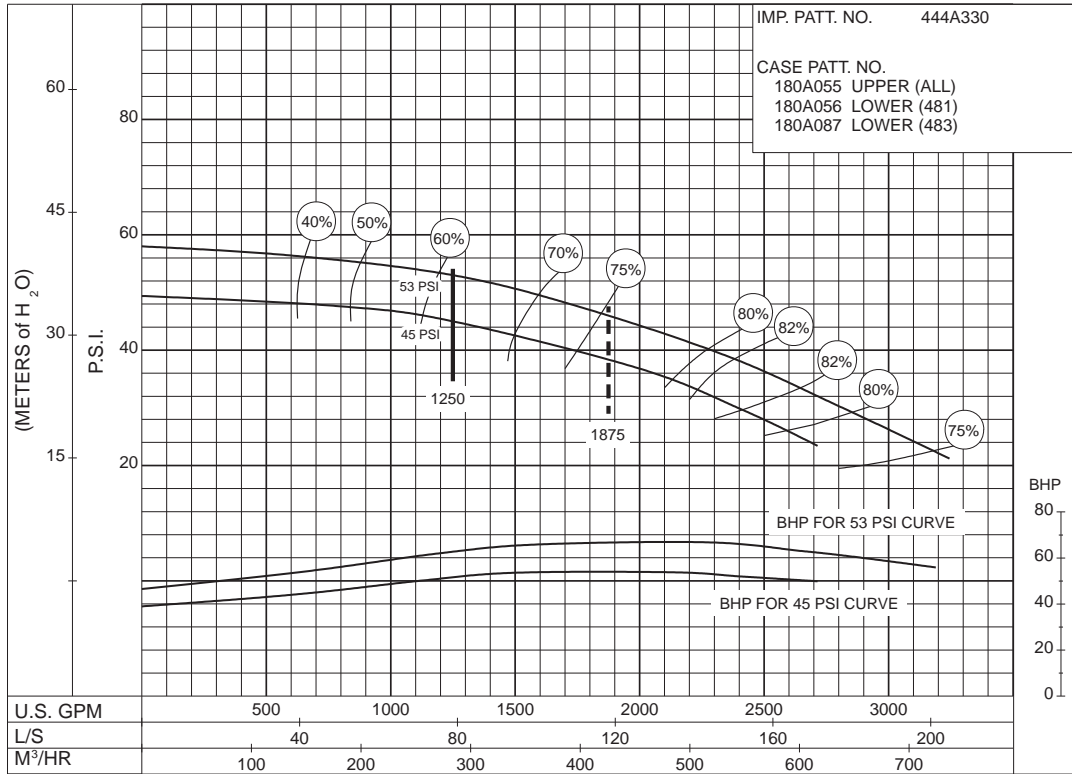
1250 G.P.M. 912 SERIES ELECTRIC MOTOR DRIVE

SIZE : 8-481-12 / 8-483-12

MODEL: 480

IMPELLER : Enclosed

R. P. M. : 1770



PC-147676

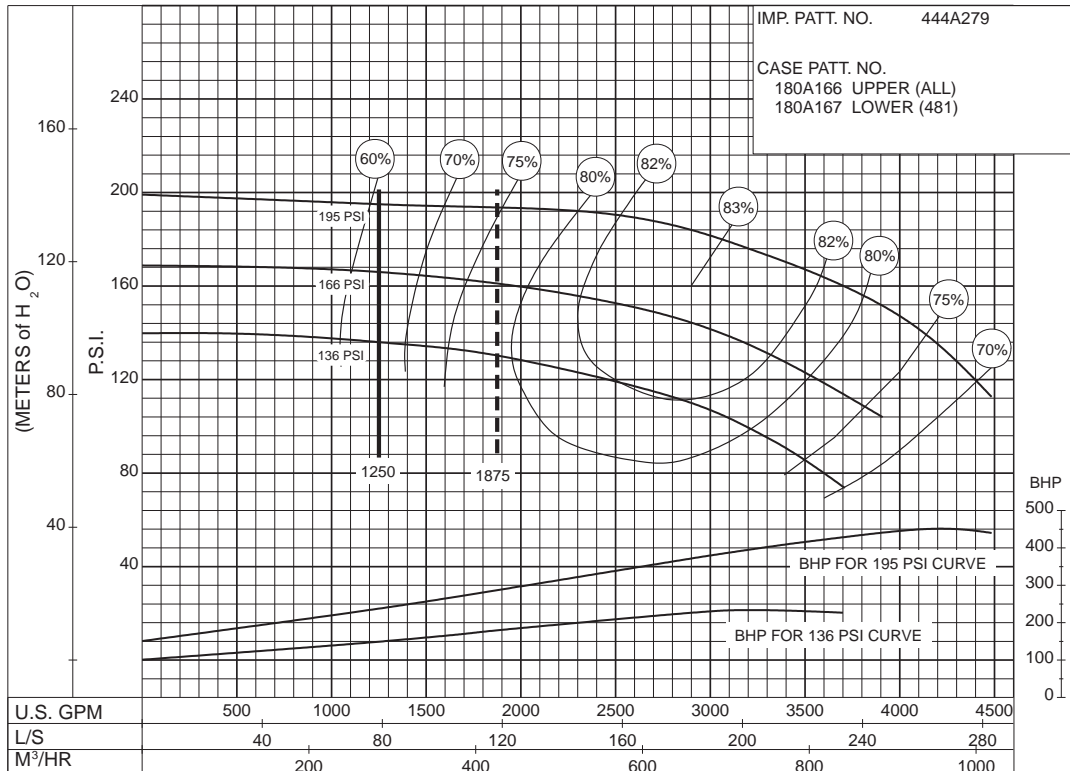
45 to 53 P.S.I.

SIZE : 8-481-21

MODEL: 480

IMPELLER : Enclosed

R. P. M. : 1775

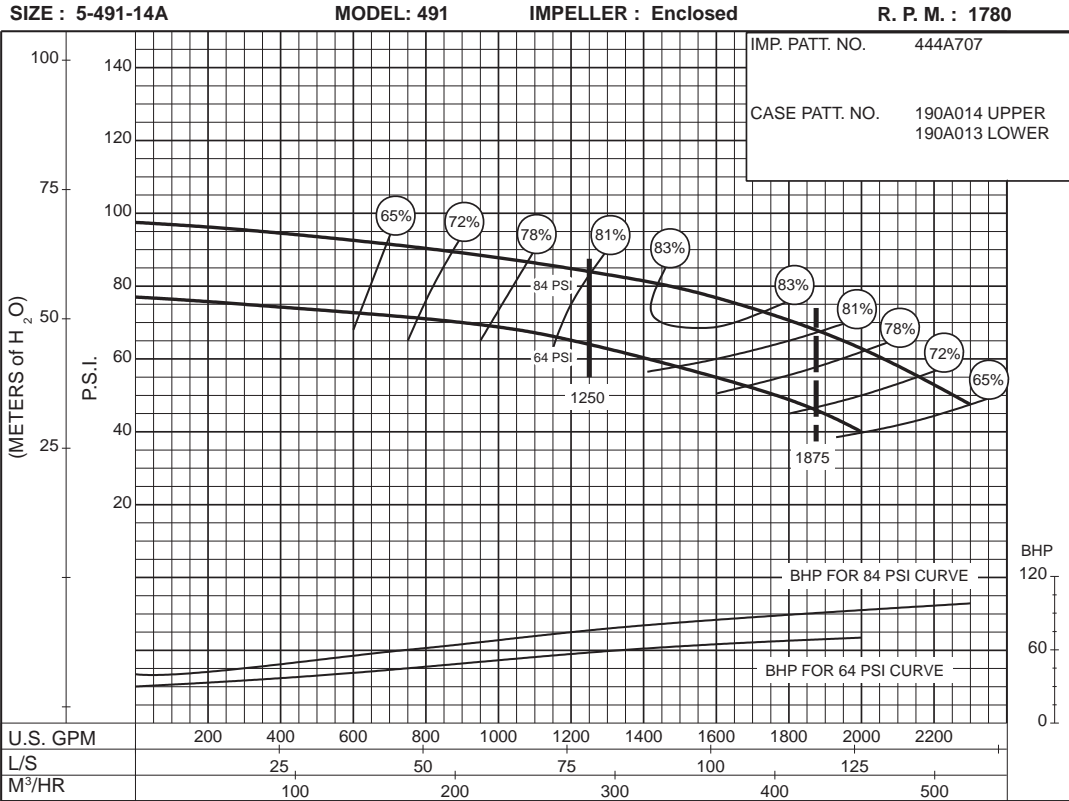


PC-147684

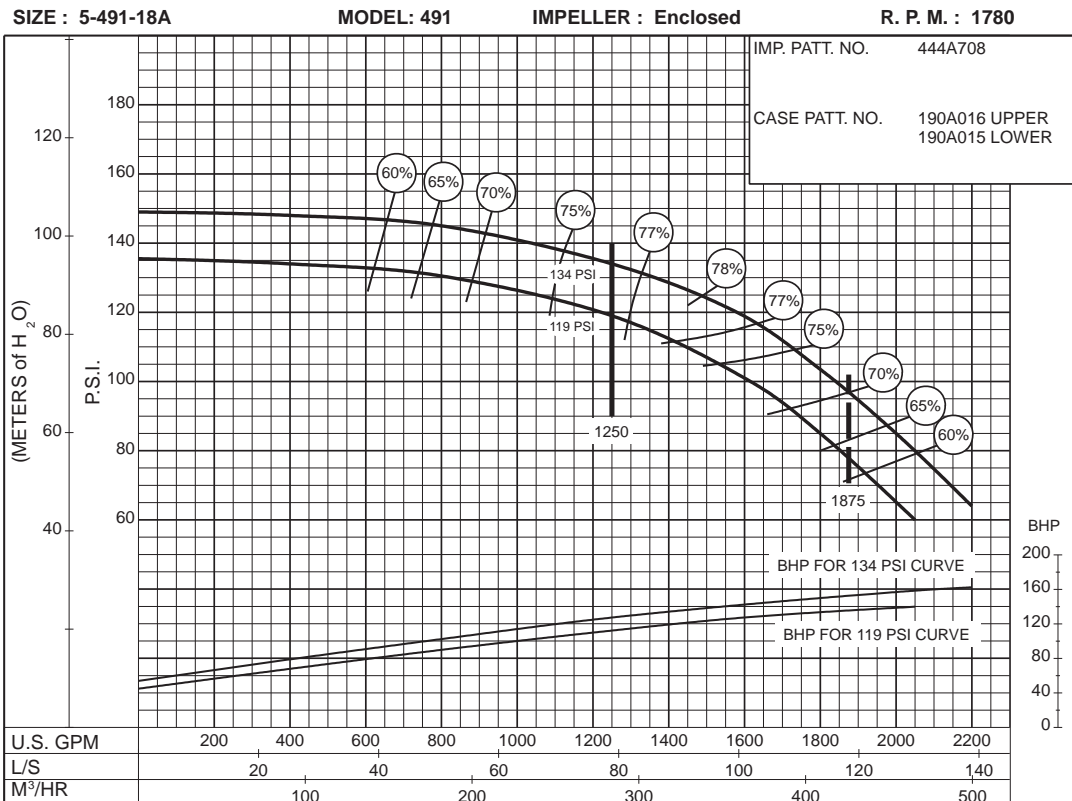
136 to 195 P.S.I.

1250 G.P.M. 912 SERIES

ELECTRIC MOTOR DRIVE



64
to
84
P.S.I.



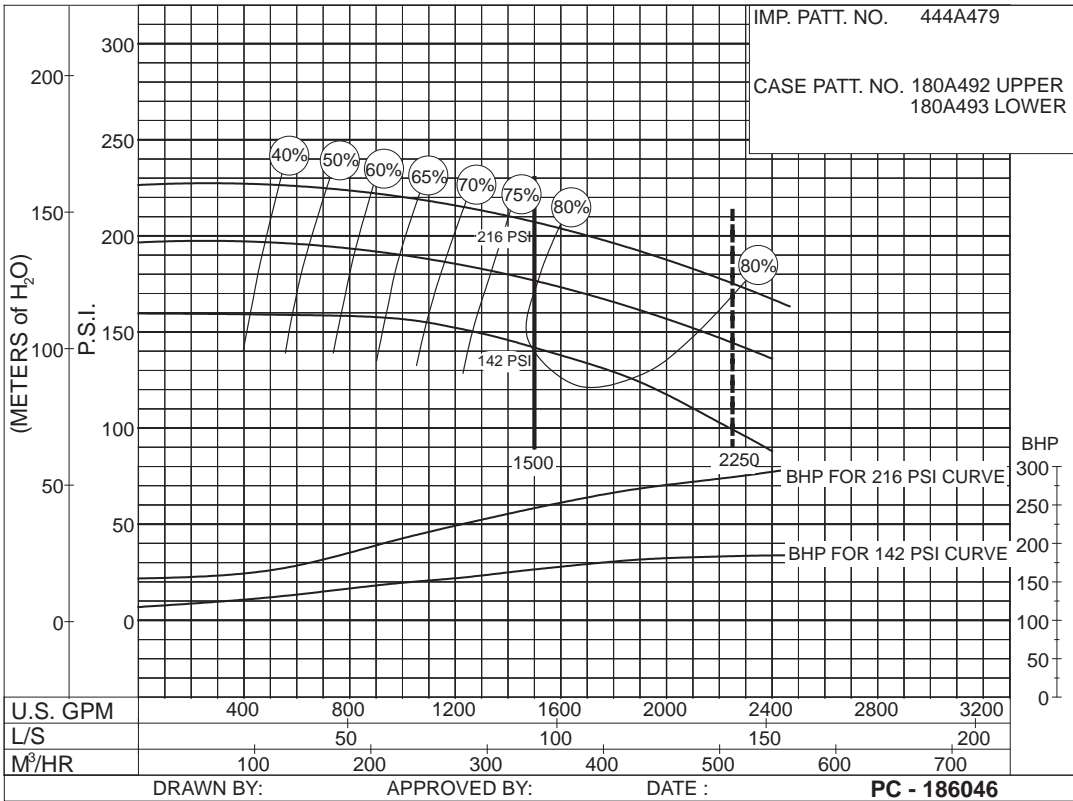
119
to
134
P.S.I.

1500 G.P.M. 912 SERIES
ELECTRIC MOTOR DRIVE

SIZE : 6-481-11HH

MODEL: 480 IMPELLER : Enclosed

R. P. M. : 3560

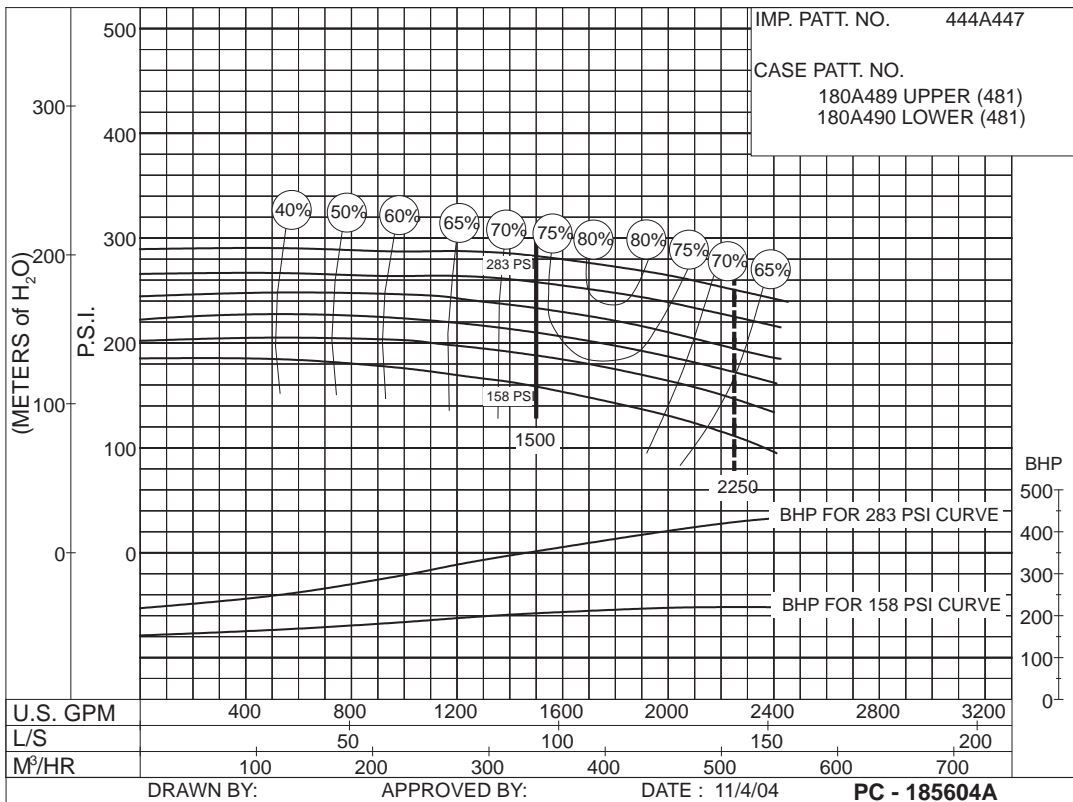


142
to
216
P.S.I.

SIZE : 6-481-14HH

MODEL: 480 IMPELLER : Enclosed

R. P. M. : 3560



158
to
283
P.S.I.



AURORA®

THIS PAGE LEFT INTENTIONALLY BLANK

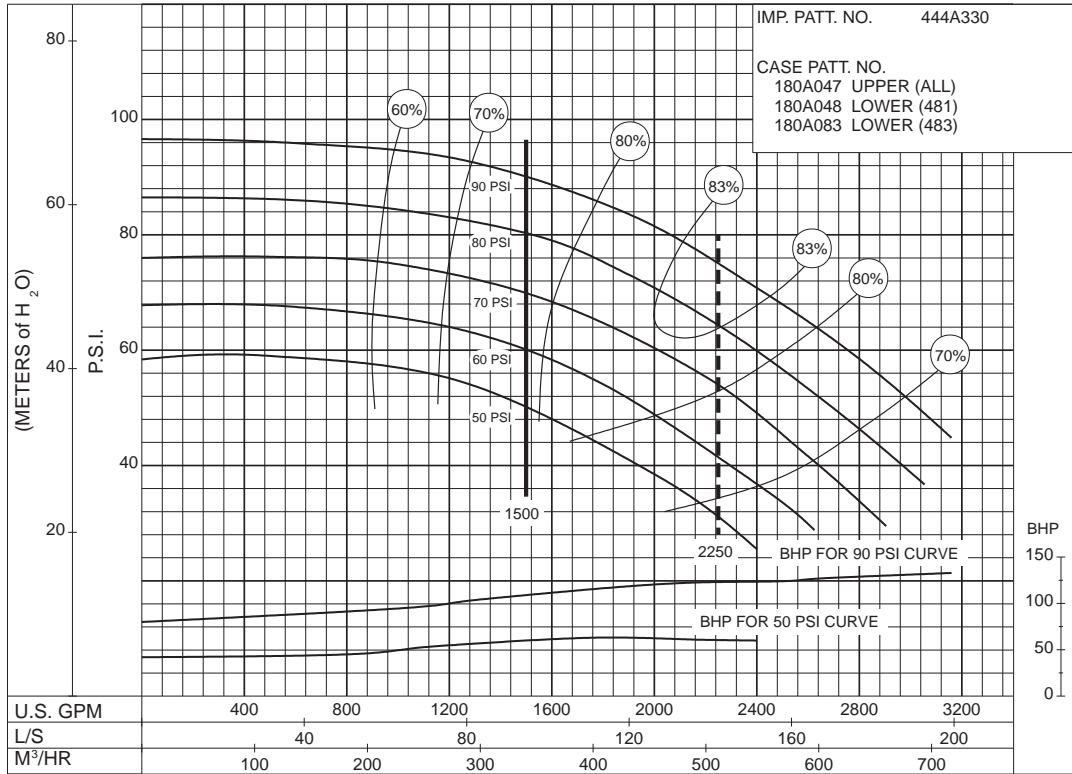
1500 G.P.M. 912 SERIES ELECTRIC MOTOR DRIVE

SIZE : 6-481-15 / 6-483-15

MODEL: 480

IMPELLER : Enclosed

R. P. M. : 1770



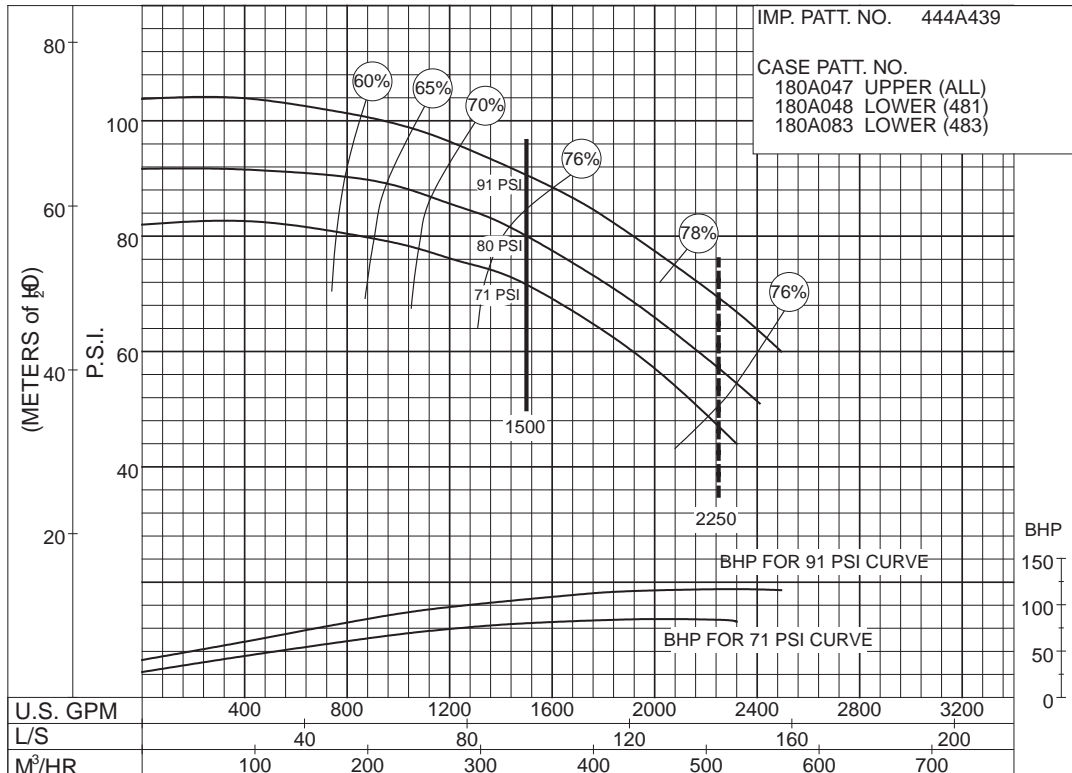
50 to 90 P.S.I.

SIZE : 6-481-15C / 6-483-15C

MODEL: 480

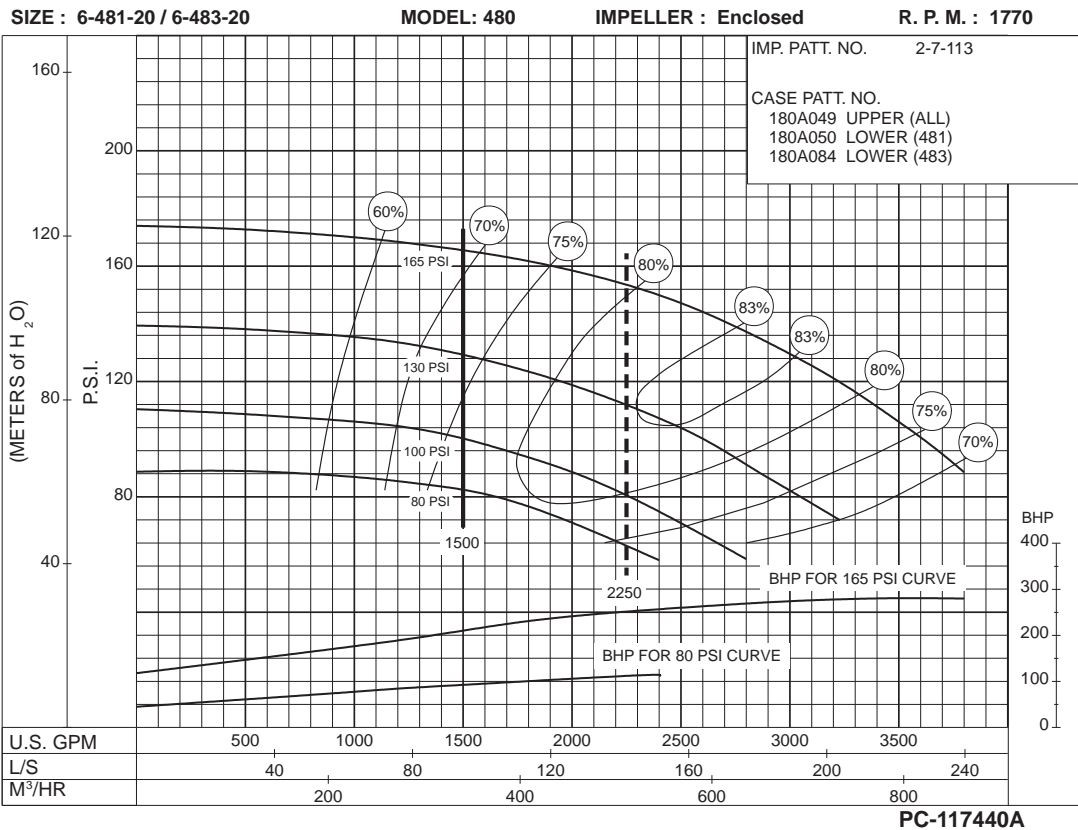
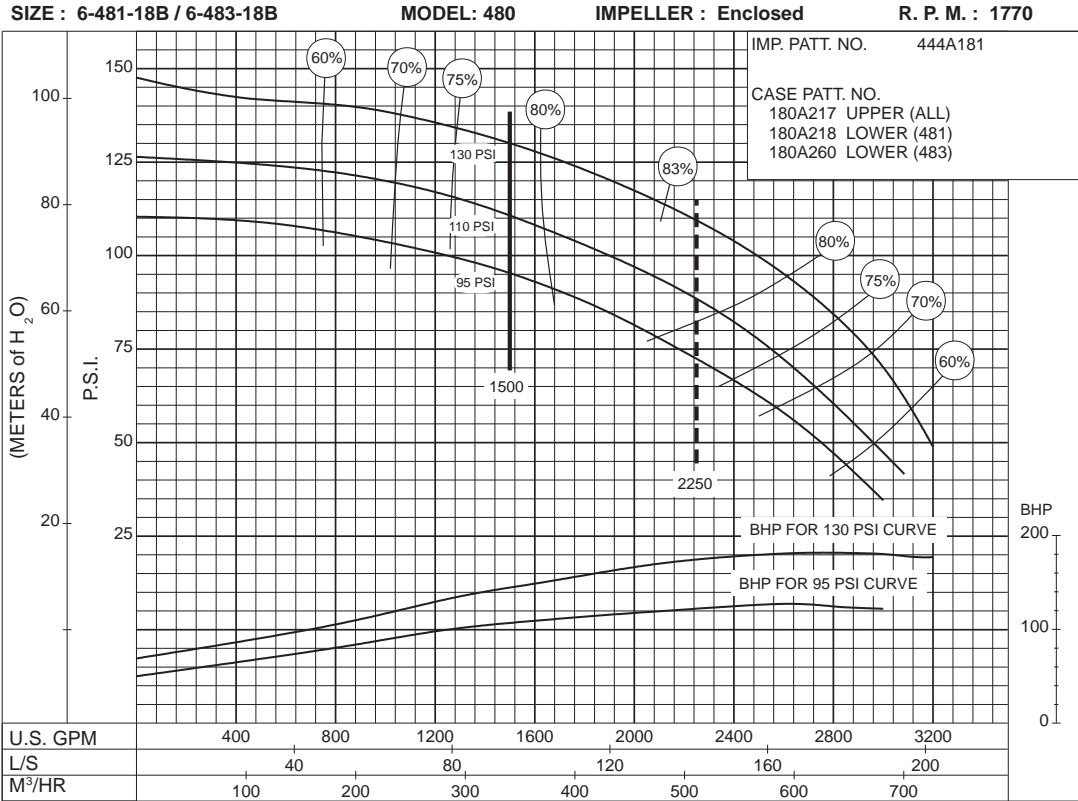
IMPELLER : Enclosed

R. P. M. : 1770



71 to 91 P.S.I.

1500 G.P.M. 912 SERIES
ELECTRIC MOTOR DRIVE



95
to
130
P.S.I.

80
to
165
P.S.I.

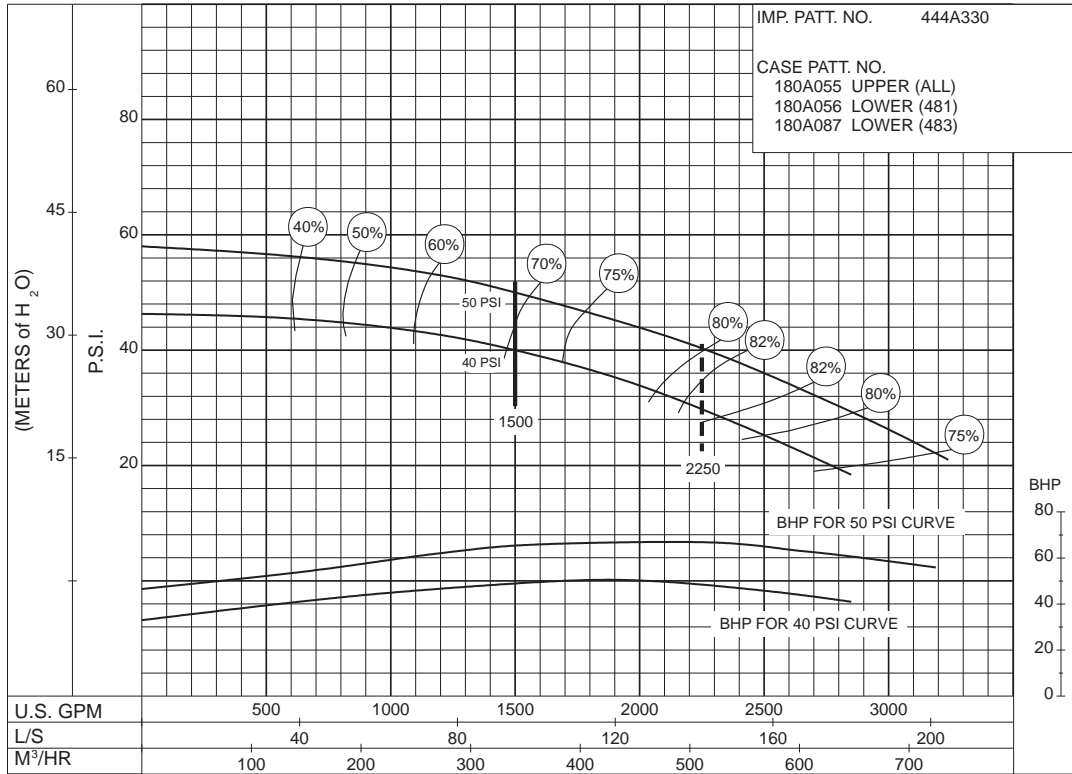
1500 G.P.M. 912 SERIES ELECTRIC MOTOR DRIVE

SIZE : 8-481-12 / 8-483-12

MODEL: 480

IMPELLER : Enclosed

R. P. M. : 1770



PC-117437

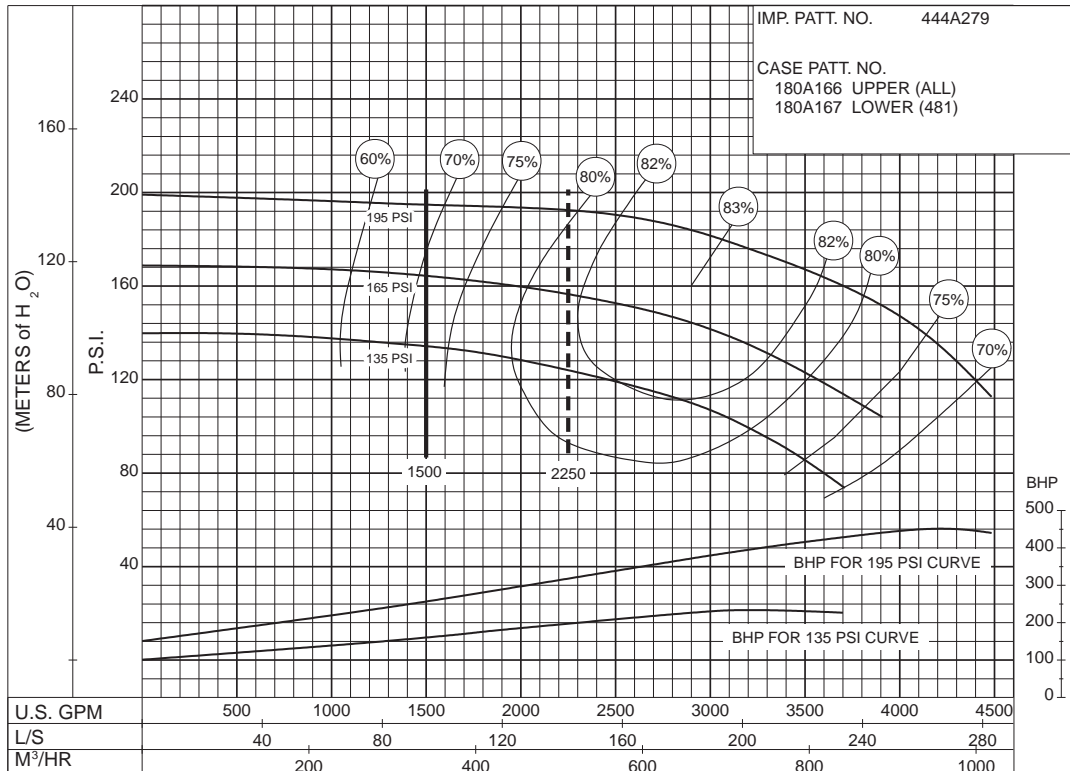
40 to 50 P.S.I.

SIZE : 8-481-21

MODEL: 480

IMPELLER : Enclosed

R. P. M. : 1770



PC-144927A

135 to 195 P.S.I.



AURORA®

1500 G.P.M. 912 SERIES

ELECTRIC MOTOR DRIVE

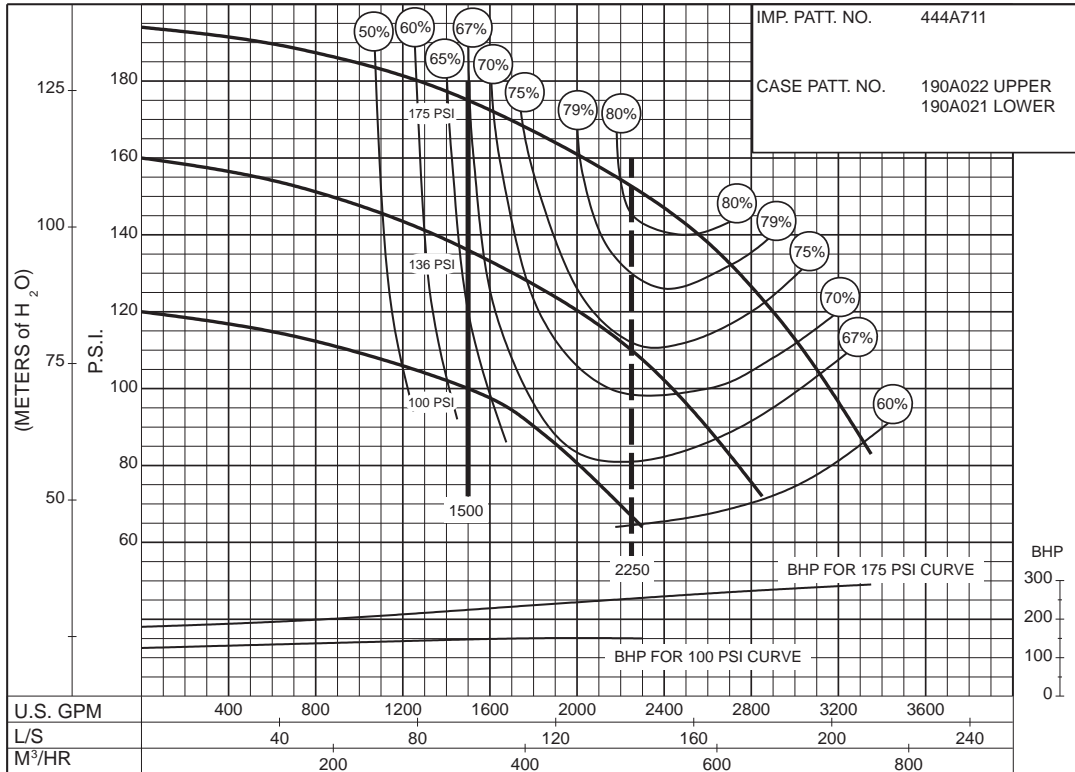
SIZE : 6-492-10

MODEL: 492

IMPELLER : Enclosed

R. P. M. : 3550

IMP. PATT. NO. 444A711
 CASE PATT. NO. 190A022 UPPER
 190A021 LOWER



100
to
175
P.S.I.

PC-168453

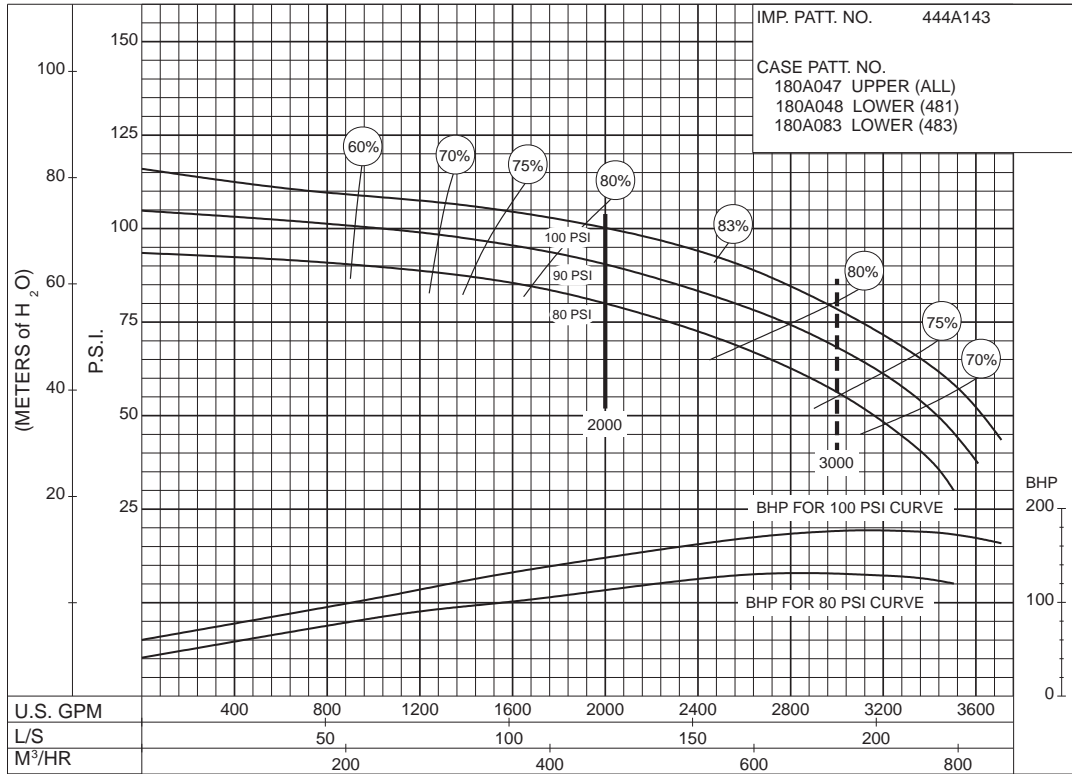
2000 G.P.M. 912 SERIES ELECTRIC MOTOR DRIVE

SIZE : 6-481-15B / 6-483-15B

MODEL: 480

IMPELLER : Enclosed

R. P. M. : 1770



PC-123057

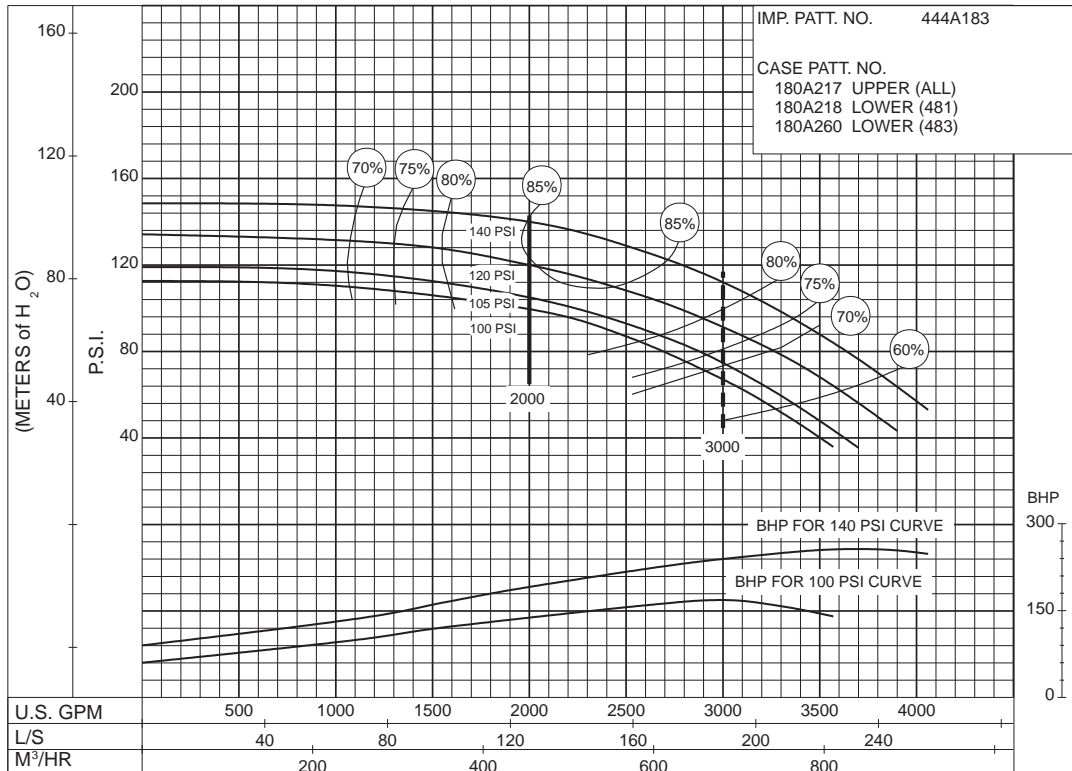
80 to 100 P.S.I.

SIZE : 6-481-18C / 6-483-18C

MODEL: 480

IMPELLER : Enclosed

R. P. M. : 1770



PC-123059

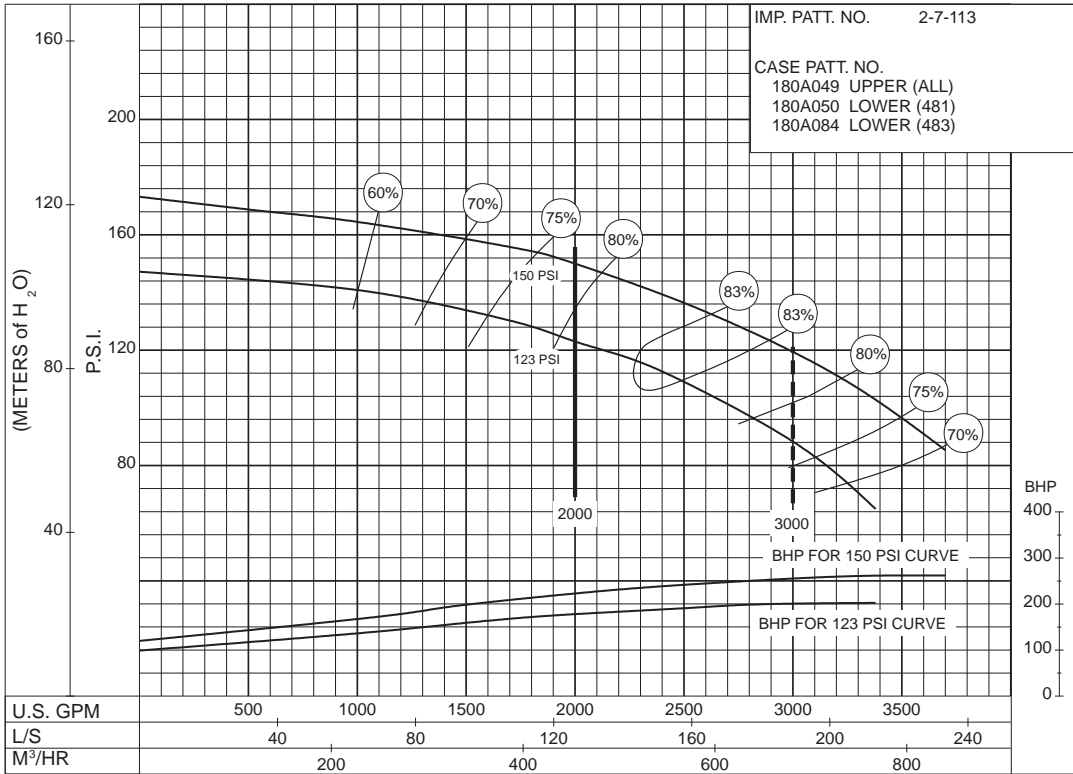
100 to 140 P.S.I.



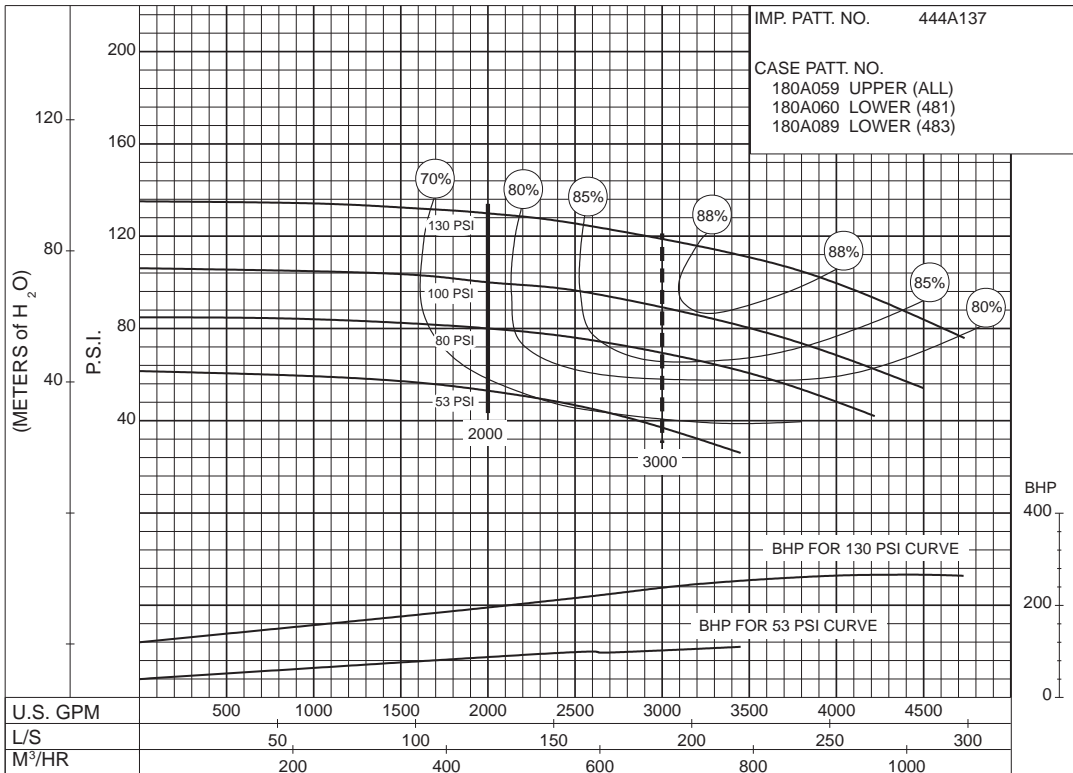
2000 G.P.M. 912 SERIES

ELECTRIC MOTOR DRIVE

SIZE : 6-481-20 / 6-483-20 MODEL: 480 IMPELLER : Enclosed R. P. M. : 1770



SIZE : 8-481-17B / 8-483-17B MODEL: 480 IMPELLER : Enclosed R. P. M. : 1770



123
to
150
P.S.I.

53
to
130
P.S.I.

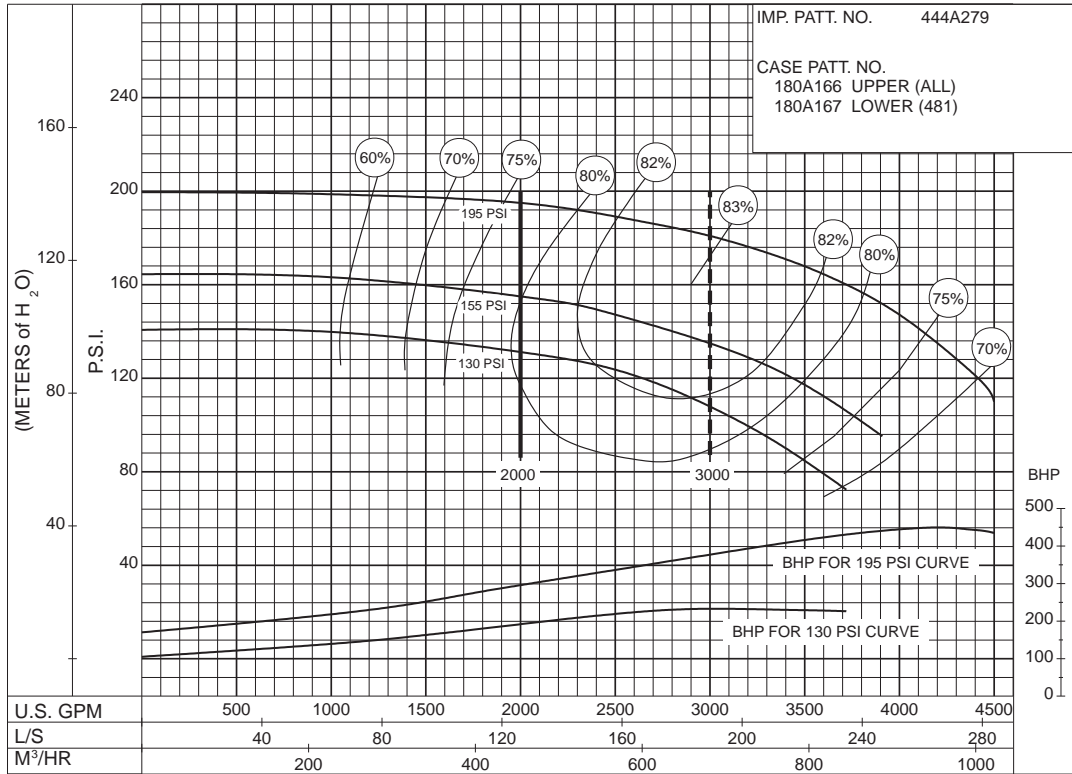
2000 G.P.M. 912 SERIES
ELECTRIC MOTOR DRIVE

SIZE : 8-481-21

MODEL: 480

IMPELLER : Enclosed

R. P. M. : 1770



PC-144928

130
to
195
P.S.I.

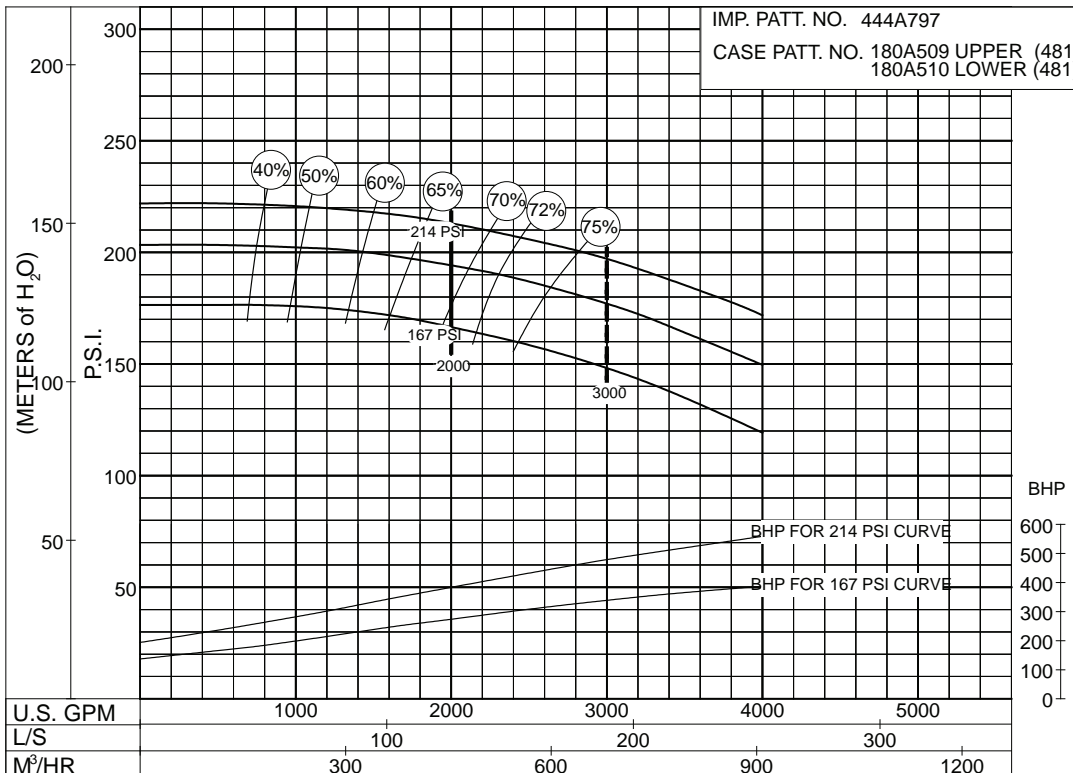
SIZE: 8-481-24

MODEL: 480

TYPE : ELECTRIC

IMPELLER : Enclosed

R. P. M. : 1770



PC- 196151

167
to
214
P.S.I.



AURORA®

SIZE : 6-491-19A

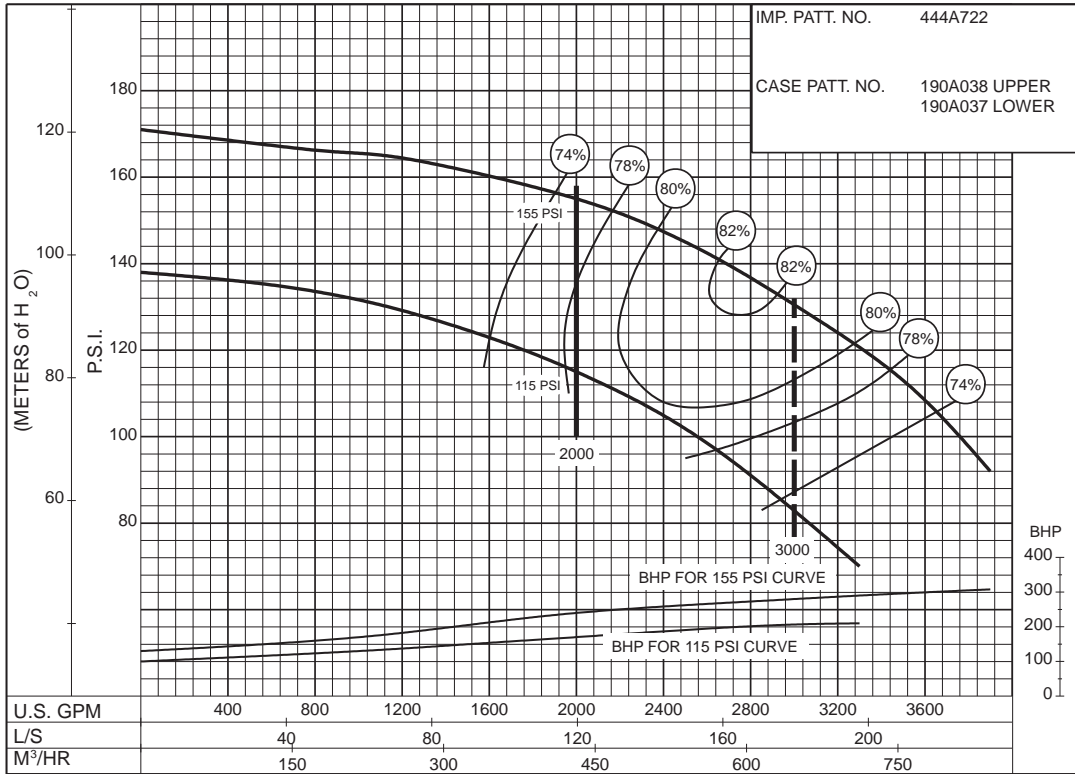
MODEL: 491

IMPELLER : Enclosed

R. P. M. : 1770

IMP. PATT. NO. 444A722

CASE PATT. NO. 190A038 UPPER
190A037 LOWER



115
to
155
P.S.I.

PC-168455

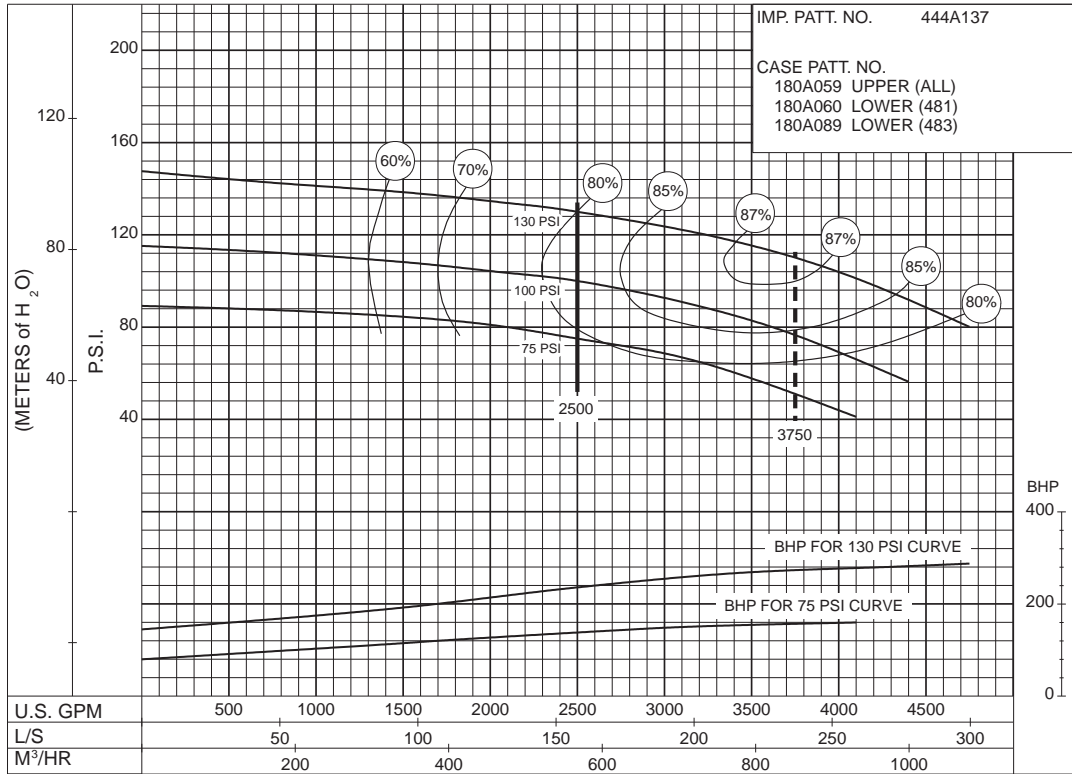
2500 G.P.M. 912 SERIES ELECTRIC MOTOR DRIVE

SIZE : 8-481-17B / 8-483-17B

MODEL: 480

IMPELLER : Enclosed

R. P. M. : 1770



PC-117445A

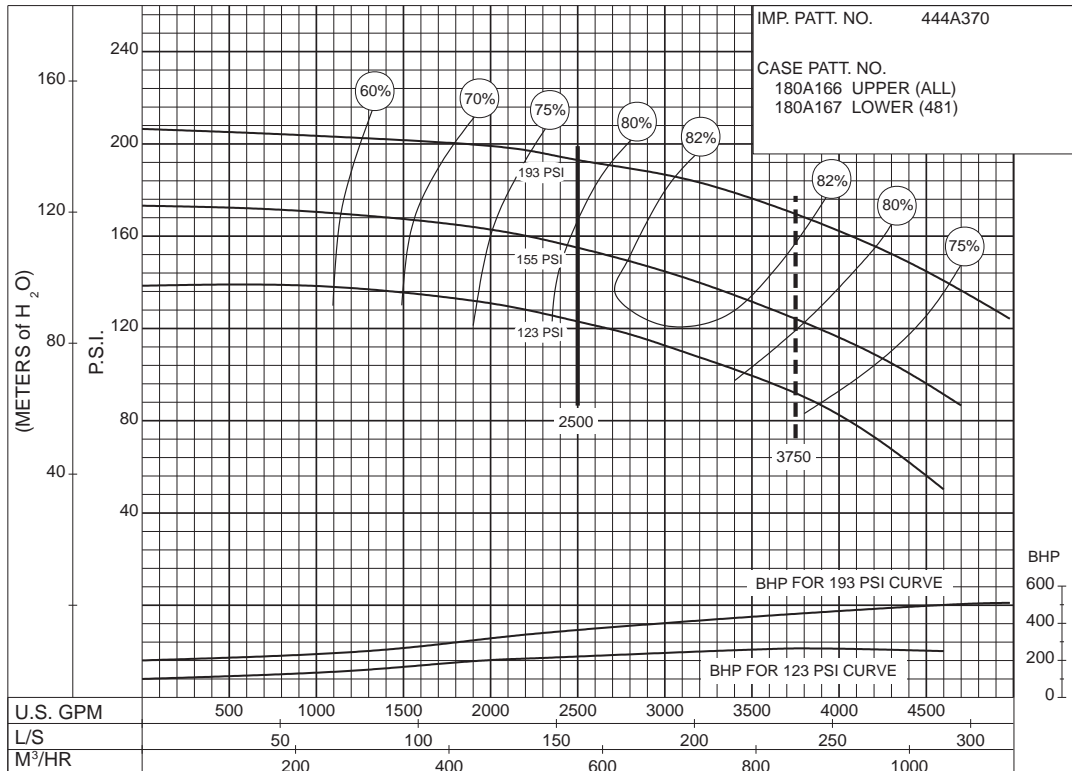
75 to 130 P.S.I.

SIZE : 8-481-21A

MODEL: 480

IMPELLER : Enclosed

R. P. M. : 1770



PC-15377A

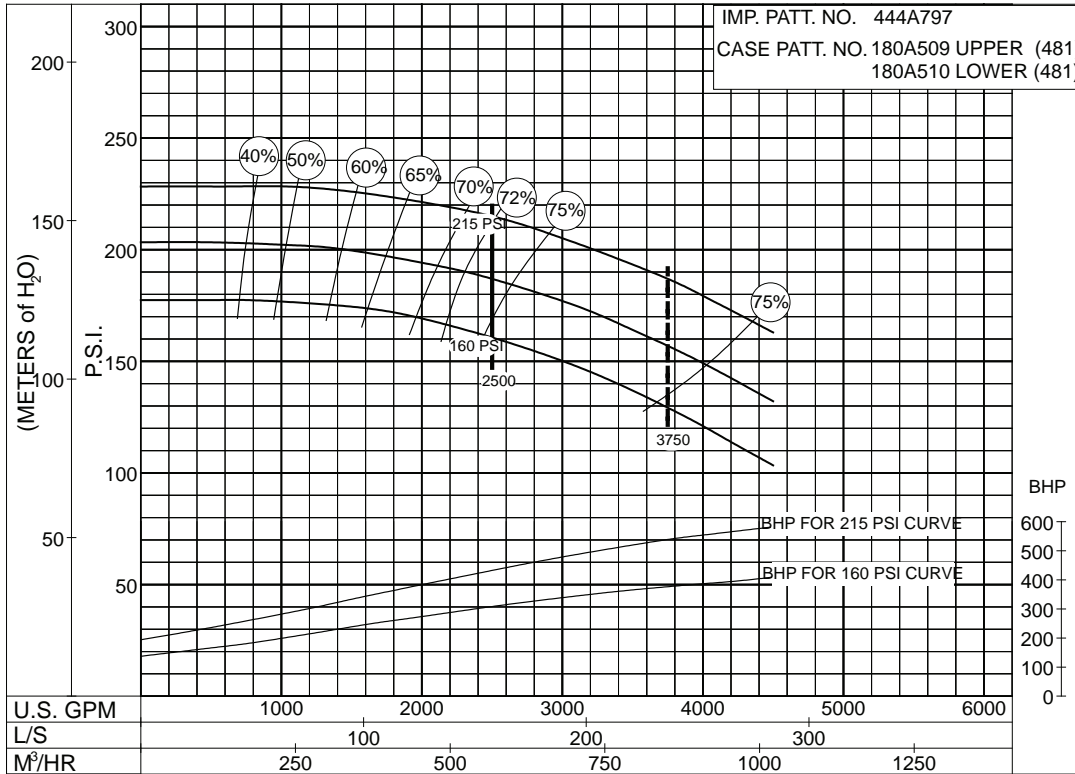
123 to 193 P.S.I.



AURORA®

SIZE: 8-481-24 MODEL: 480 TYPE : ELECTRIC IMPELLER : Enclosed R. P. M. : 1770

IMP. PATT. NO. 444A797
CASE PATT. NO. 180A509 UPPER (481)
180A510 LOWER (481)



PC- 196155

158
to
215
P.S.I.

THIS PAGE LEFT INTENTIONALLY BLANK

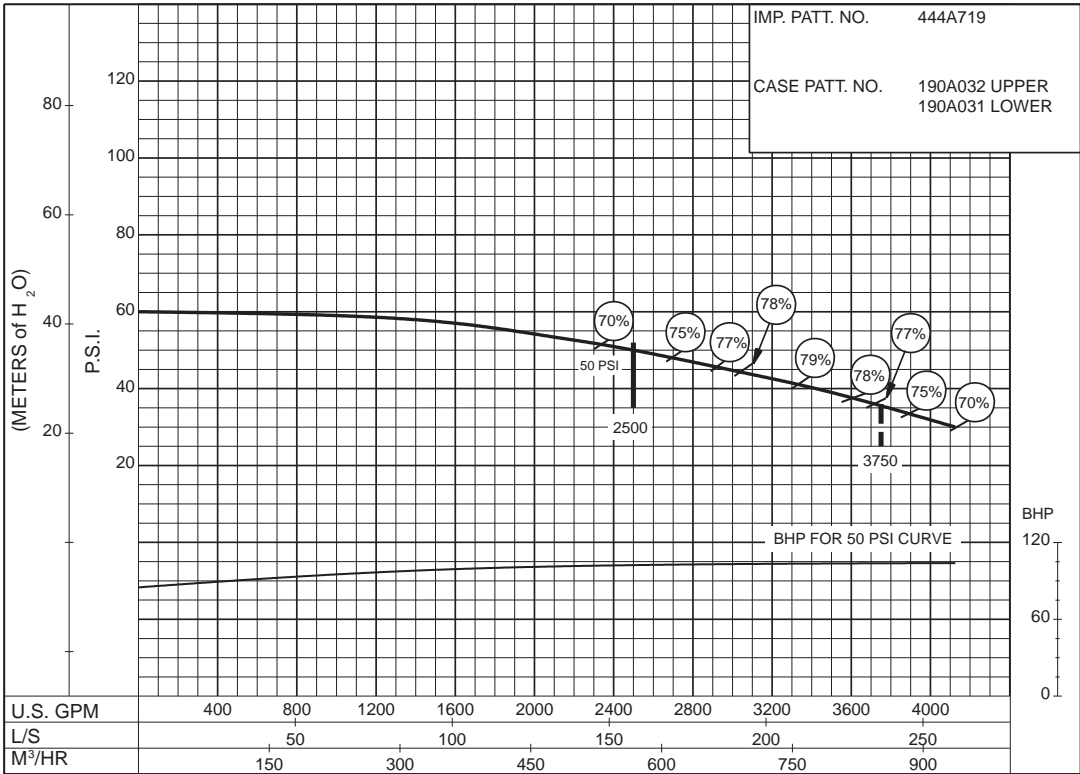
SIZE : 8-491-14A

MODEL: 491

IMPELLER : Enclosed

R. P. M. : 1770

IMP. PATT. NO. 444A719
 CASE PATT. NO. 190A032 UPPER
 190A031 LOWER



PC-168457

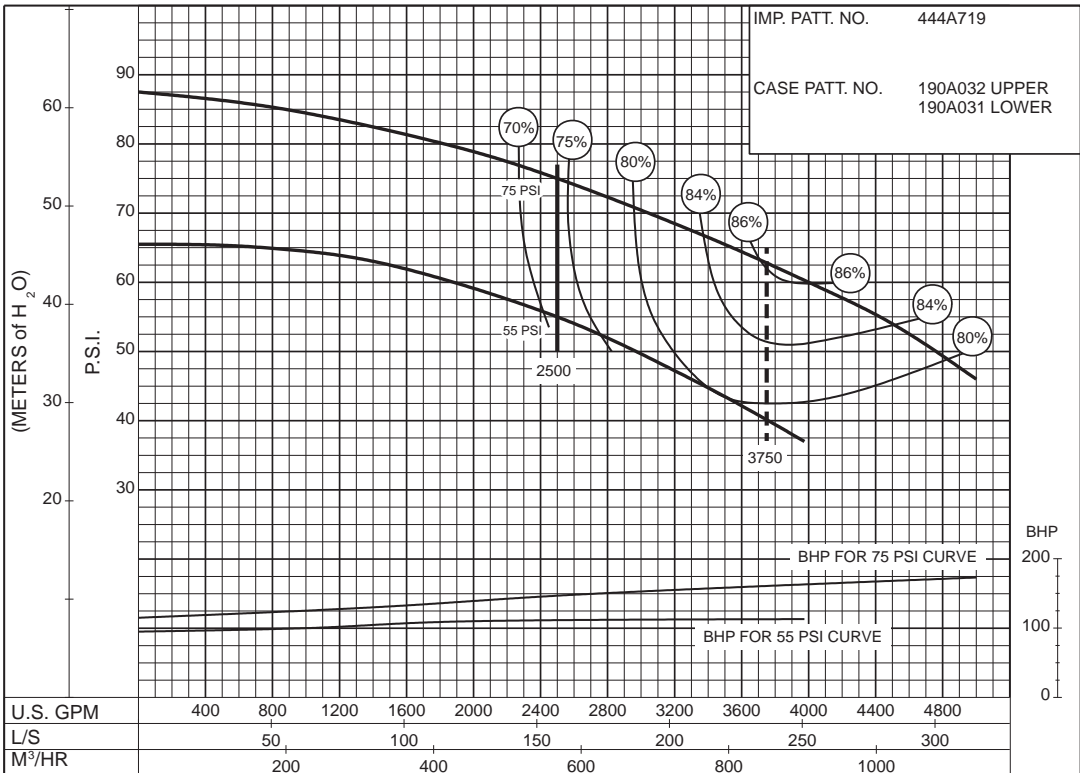
SIZE : 8-491-14A

MODEL: 491

IMPELLER : Enclosed

R. P. M. : 1770

IMP. PATT. NO. 444A719
 CASE PATT. NO. 190A032 UPPER
 190A031 LOWER



PC-168458

2500 G.P.M. 912 SERIES ELECTRIC MOTOR DRIVE

Section 912 Page 437

Date April 2000

Supersedes Section 912 Page 437

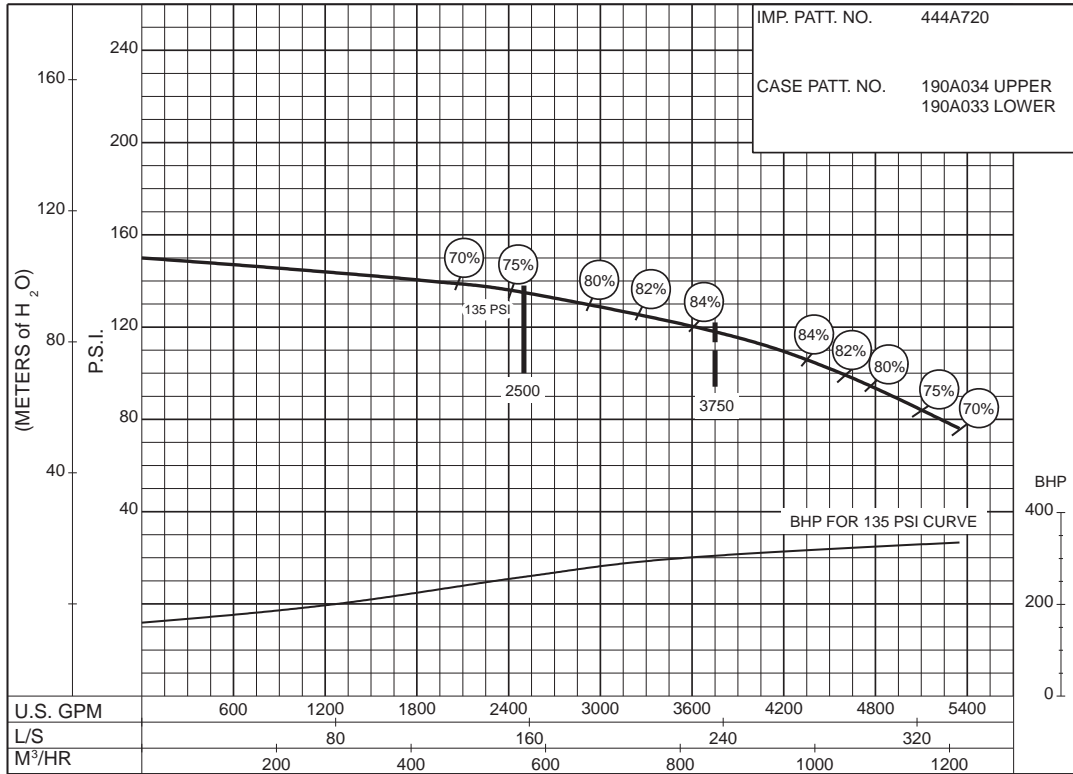
Dated June 1999

SIZE : 8-491-18A

MODEL: 491

IMPELLER : Enclosed

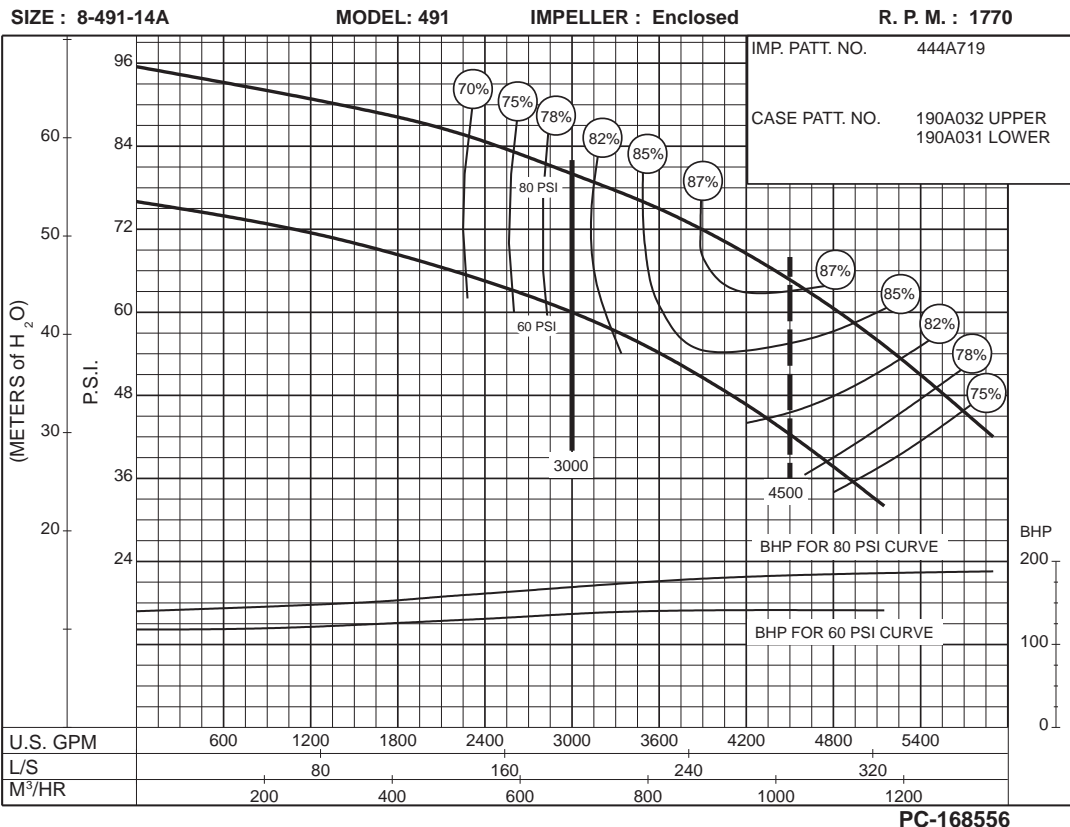
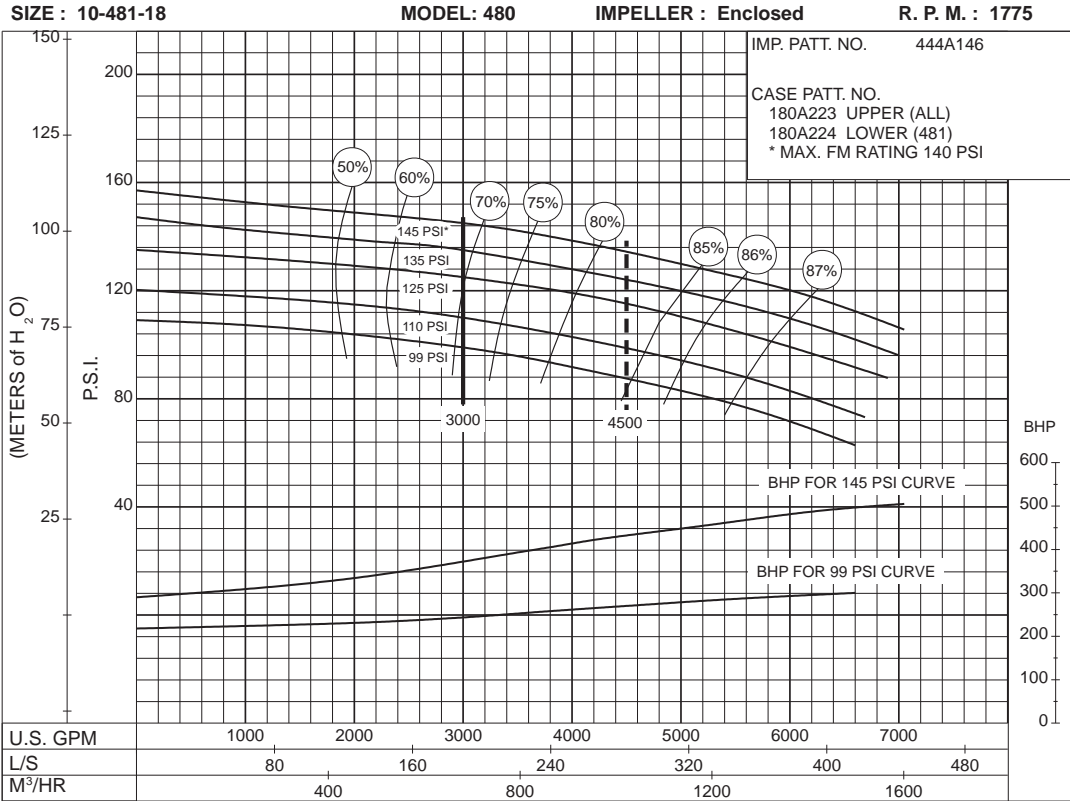
R. P. M. : 1770



PC-168459

3000 G.P.M. 912 SERIES

ELECTRIC MOTOR DRIVE



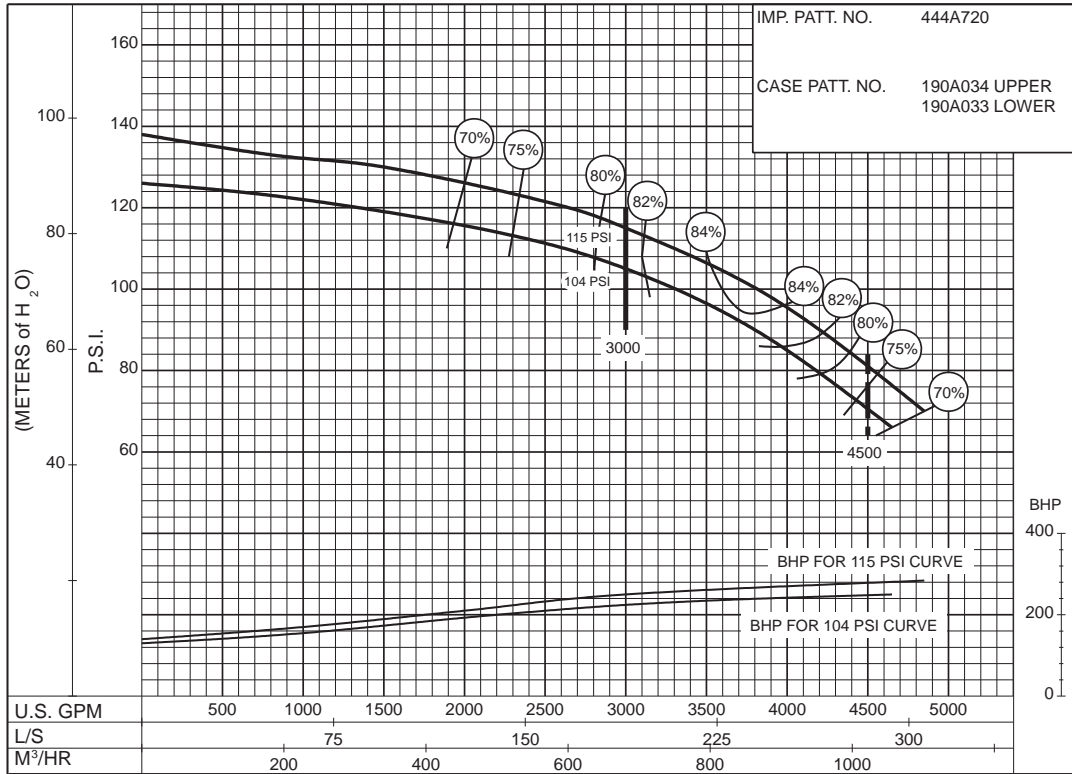
3000 G.P.M. 912 SERIES ELECTRIC MOTOR DRIVE

SIZE : 8-491-18A

MODEL: 491

IMPELLER : Enclosed

R. P. M. : 1770



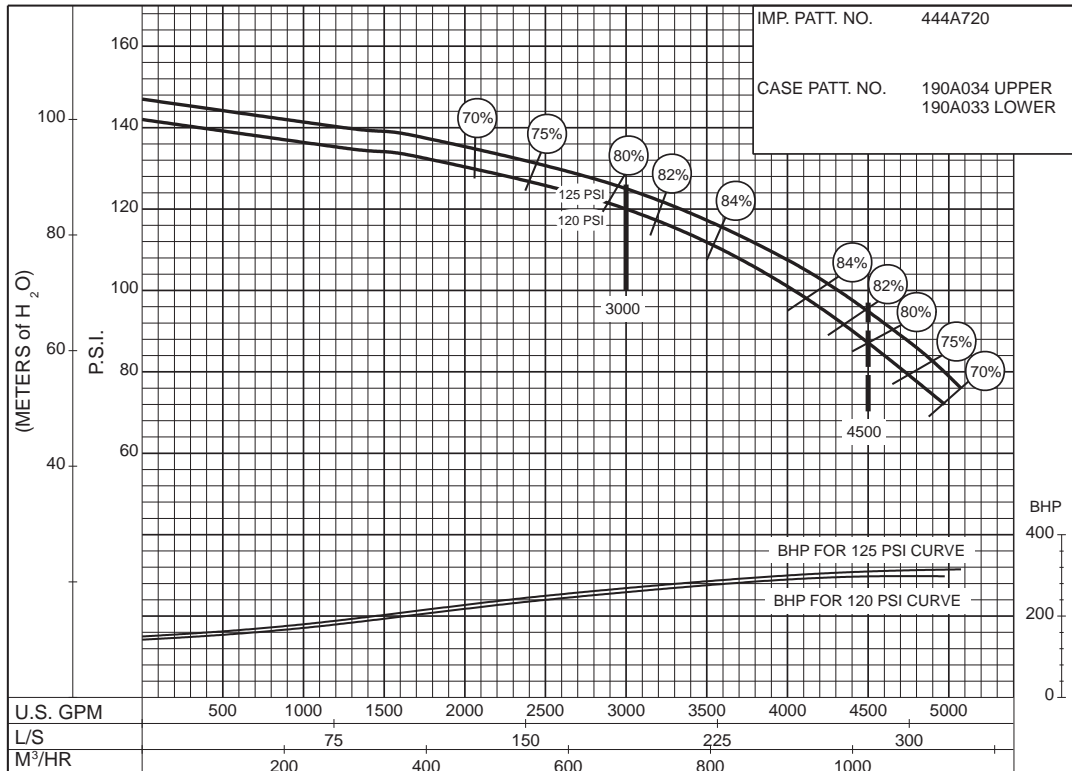
PC-168460

SIZE : 8-491-18A

MODEL: 491

IMPELLER : Enclosed

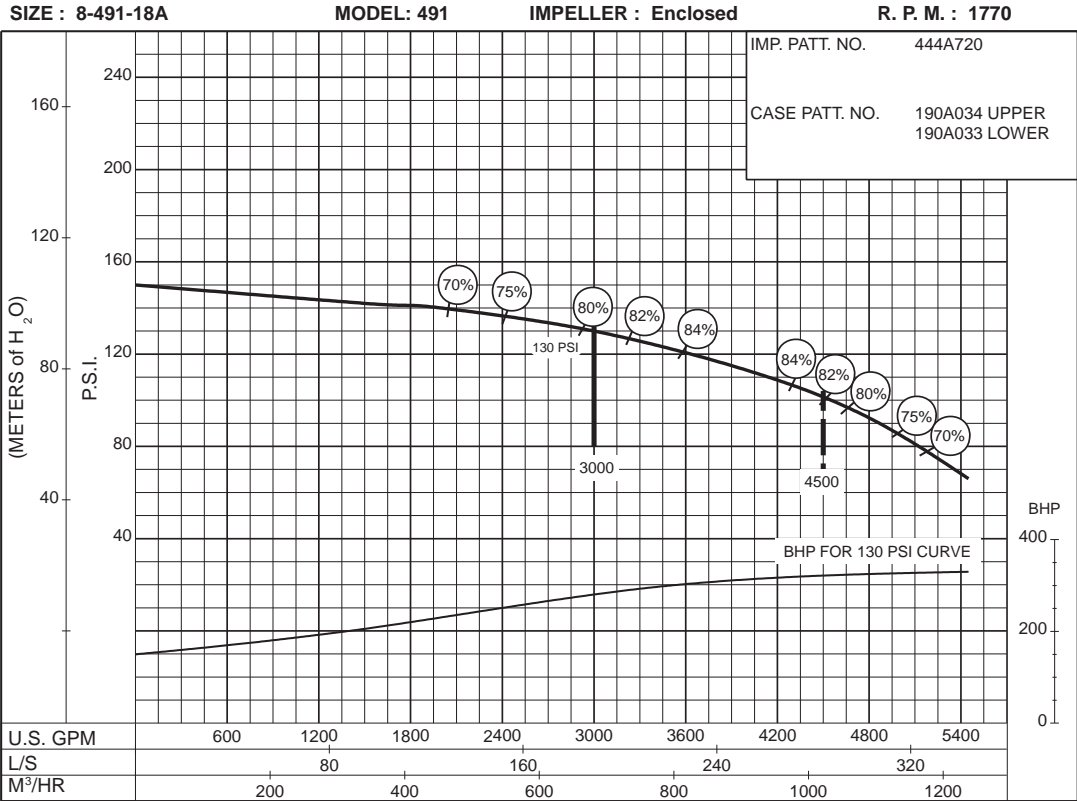
R. P. M. : 1770



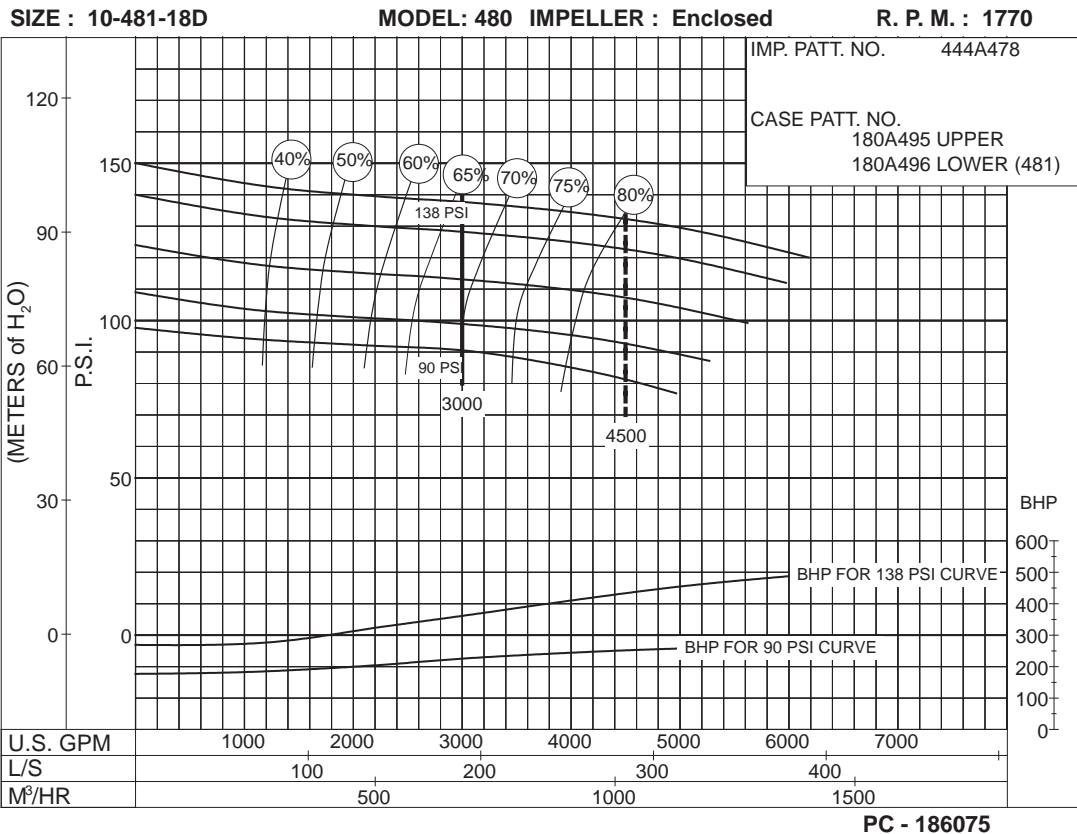
PC-168461



AURORA®



130
P.S.I.



90
to
138
P.S.I.

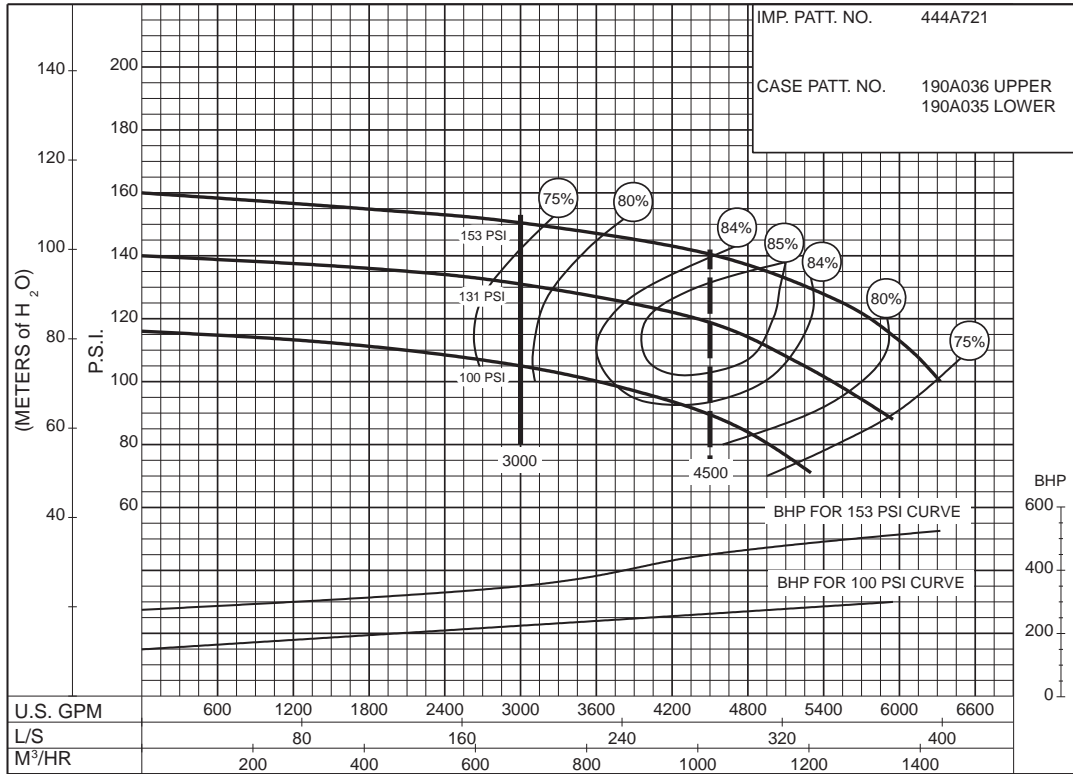
3000 G.P.M. 912 SERIES ELECTRIC MOTOR DRIVE

SIZE : 10-492-18

MODEL: 492

IMPELLER : Enclosed

R. P. M. : 1770



100 to 153 P.S.I.

PC-168463

THIS PAGE LEFT INTENTIONALLY BLANK

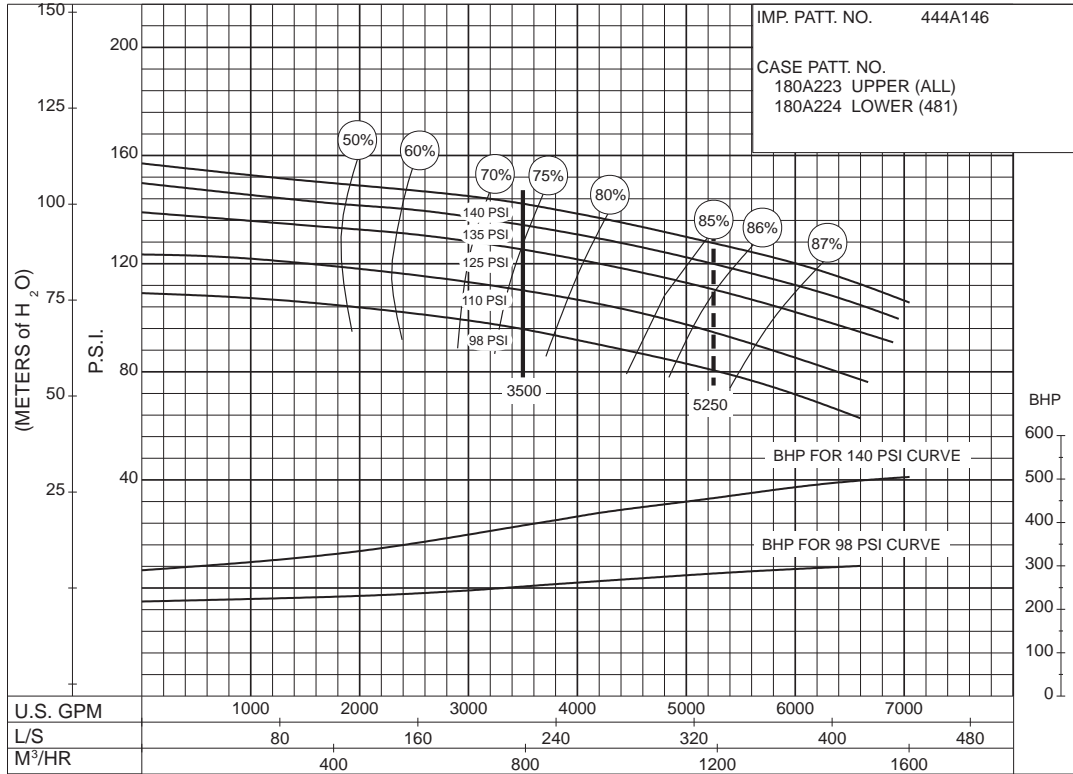
3500 G.P.M. 912 SERIES ELECTRIC MOTOR DRIVE

SIZE : 10-481-18

MODEL: 480

IMPELLER : Enclosed

R. P. M. : 1775



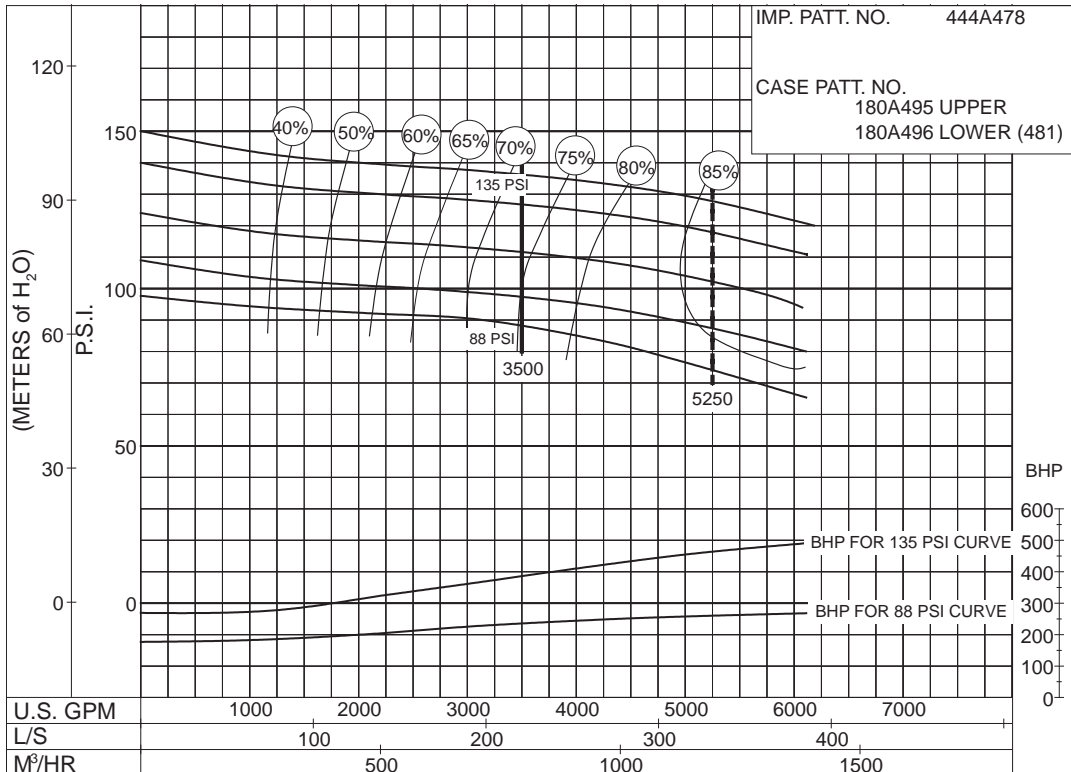
PC-126289B

98 to 140 P.S.I.

SIZE : 10-481-18D

MODEL: 480 IMPELLER : Enclosed

R. P. M. : 1770



PC - 186076

88 to 135 P.S.I.



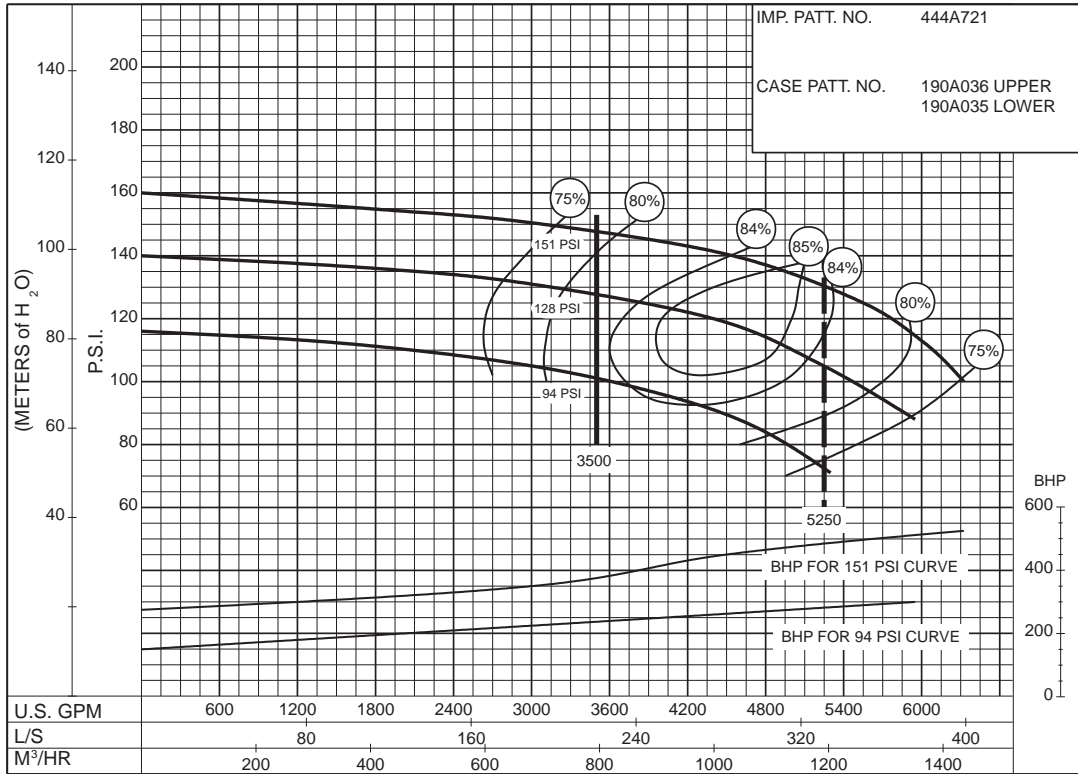
AURORA®

3500 G.P.M. 912 SERIES
 ELECTRIC MOTOR DRIVE

SIZE : 10-492-18 MODEL: 492 IMPELLER : Enclosed R. P. M. : 1770

IMP. PATT. NO. 444A721
 CASE PATT. NO. 190A036 UPPER
 190A035 LOWER

94
 to
 151
 P.S.I.



PC-168464

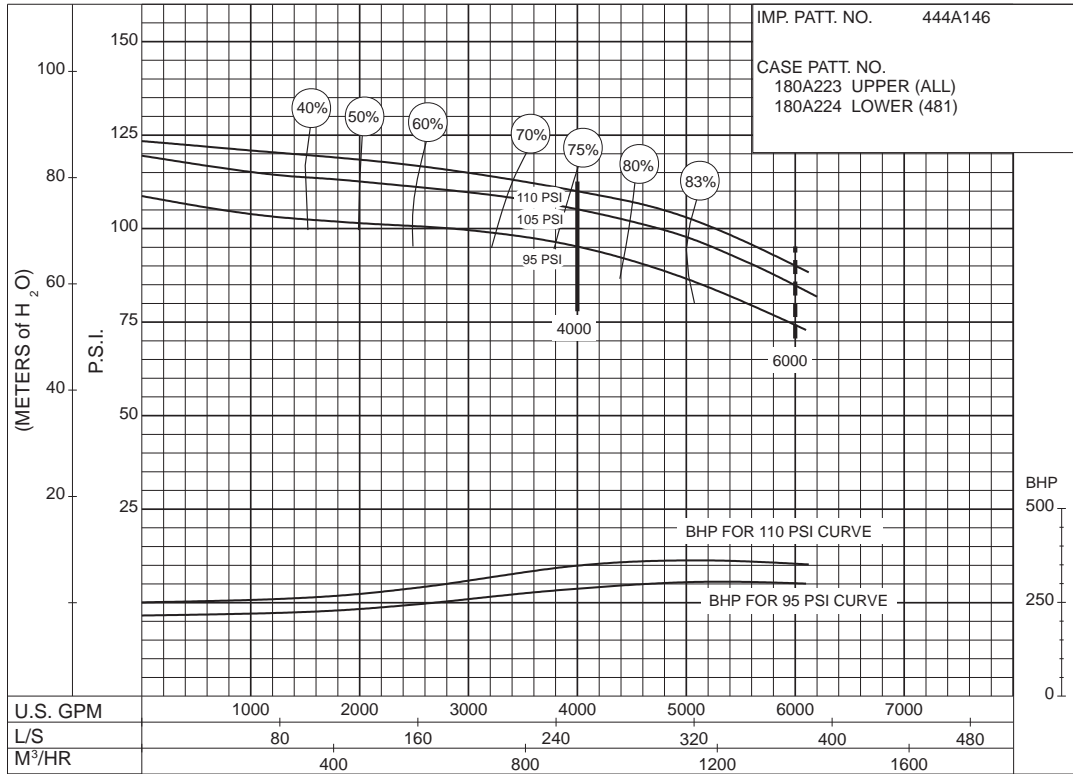
4000 G.P.M. 912 SERIES ELECTRIC MOTOR DRIVE

SIZE : 10-481-18

MODEL: 480

IMPELLER : Enclosed

R. P. M. : 1775



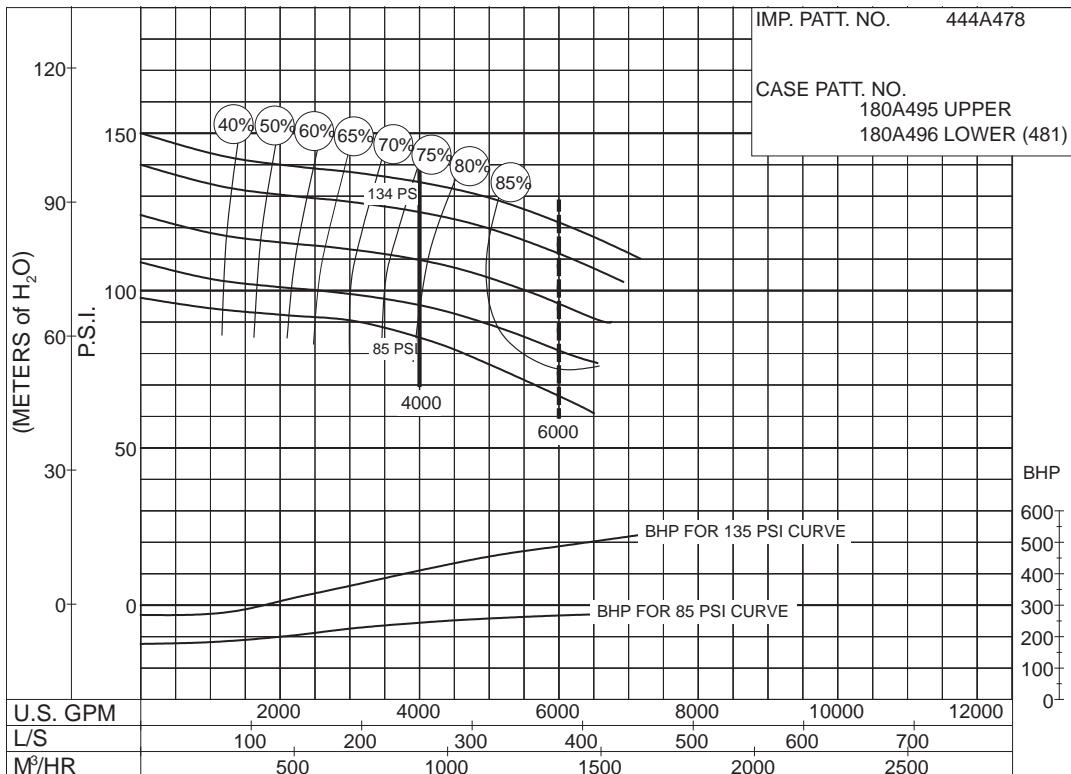
PC-126290

95 to 110 P.S.I.

SIZE : 10-481-18D

MODEL: 480 IMPELLER : Enclosed

R. P. M. : 1770



PC - 186077

85 to 134 P.S.I.



AURORA®

4000 G.P.M. 912 SERIES

ELECTRIC MOTOR DRIVE

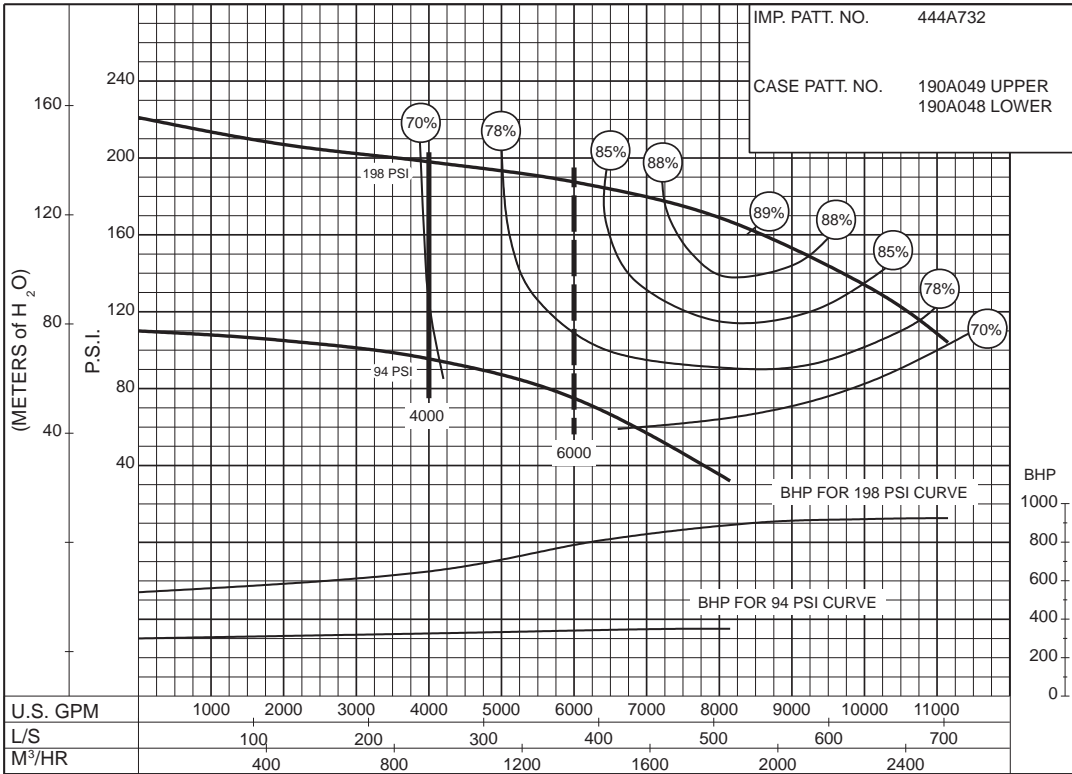
SIZE : 10-491-20

MODEL: 491

IMPELLER : Enclosed

R. P. M. : 1785

IMP. PATT. NO.	444A732
CASE PATT. NO.	190A049 UPPER 190A048 LOWER



PC-168636

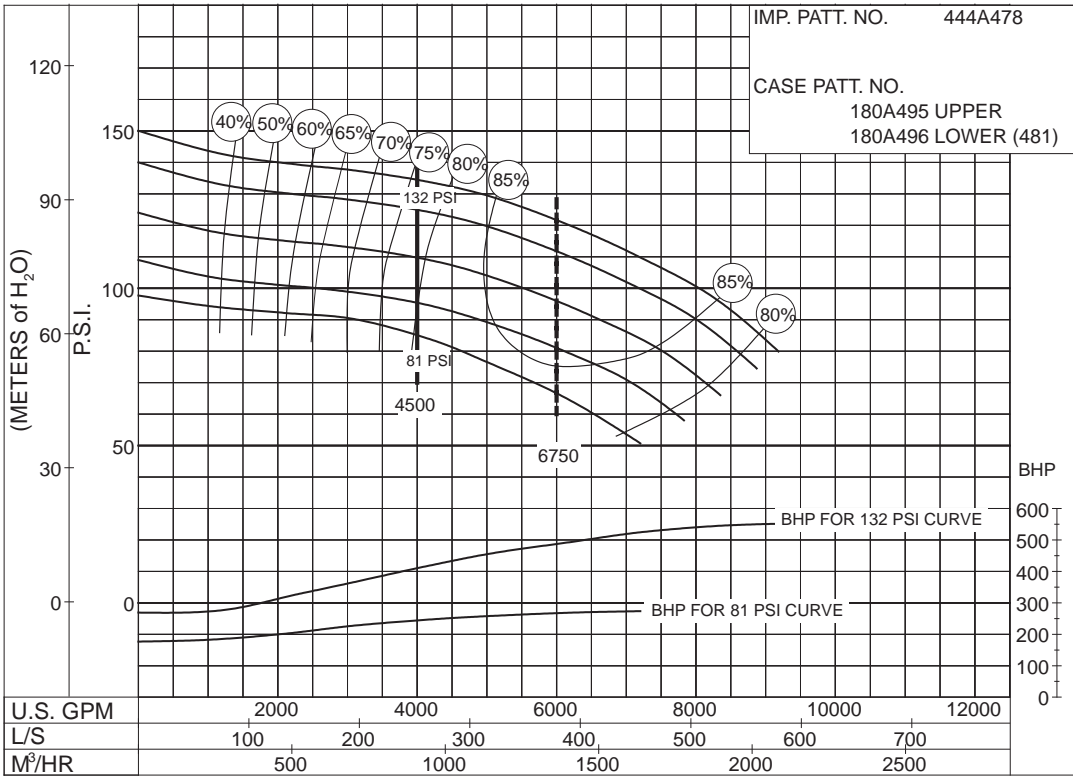
94
to
198
P.S.I.

4500 G.P.M. 912 SERIES
ELECTRIC MOTOR DRIVE

SIZE : 10-481-18D

MODEL: 480 IMPELLER : Enclosed

R. P. M. : 1770



PC - 186078

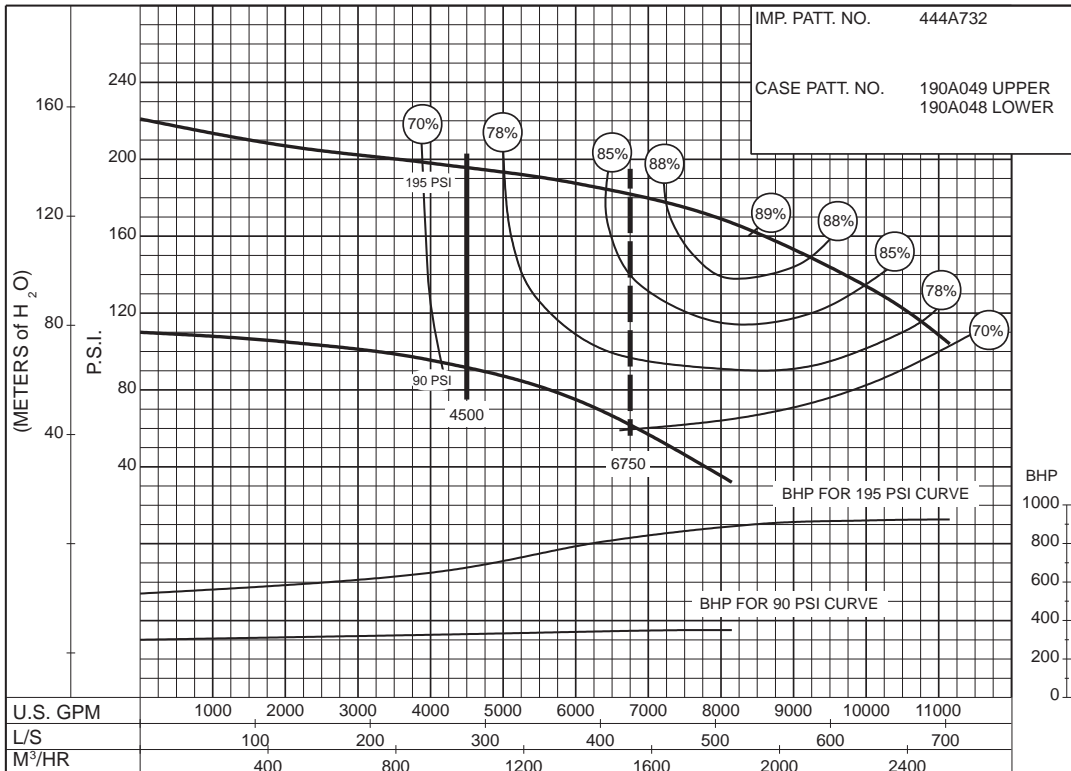
81 to 132 P.S.I.

SIZE : 10-491-20

MODEL: 491

IMPELLER : Enclosed

R. P. M. : 1785



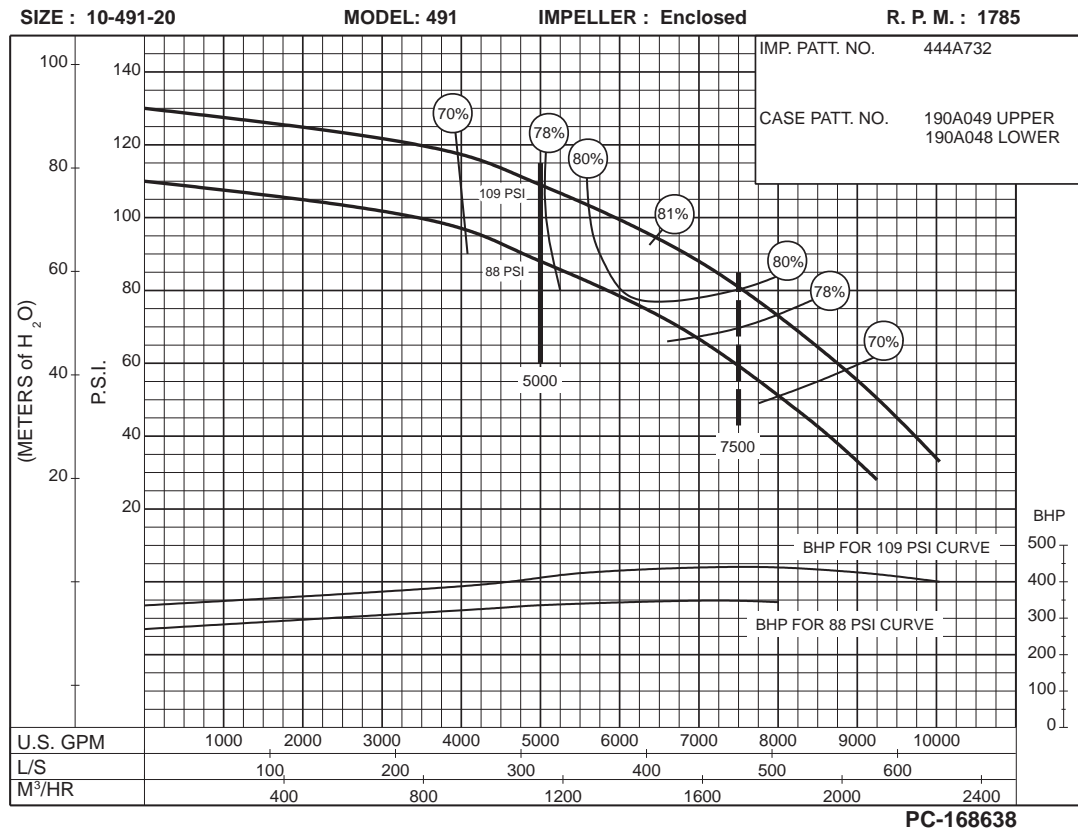
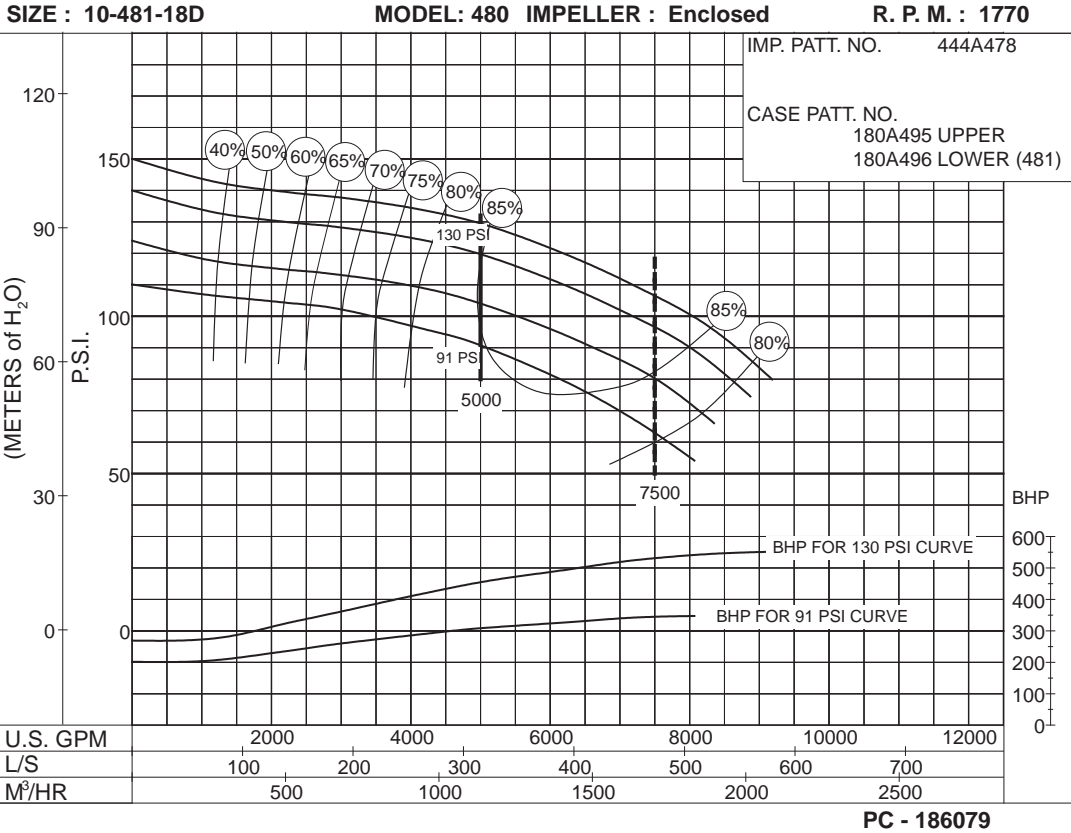
PC-168637

90 to 195 P.S.I.



AURORA®

5000 G.P.M. 912 SERIES
ELECTRIC MOTOR DRIVE



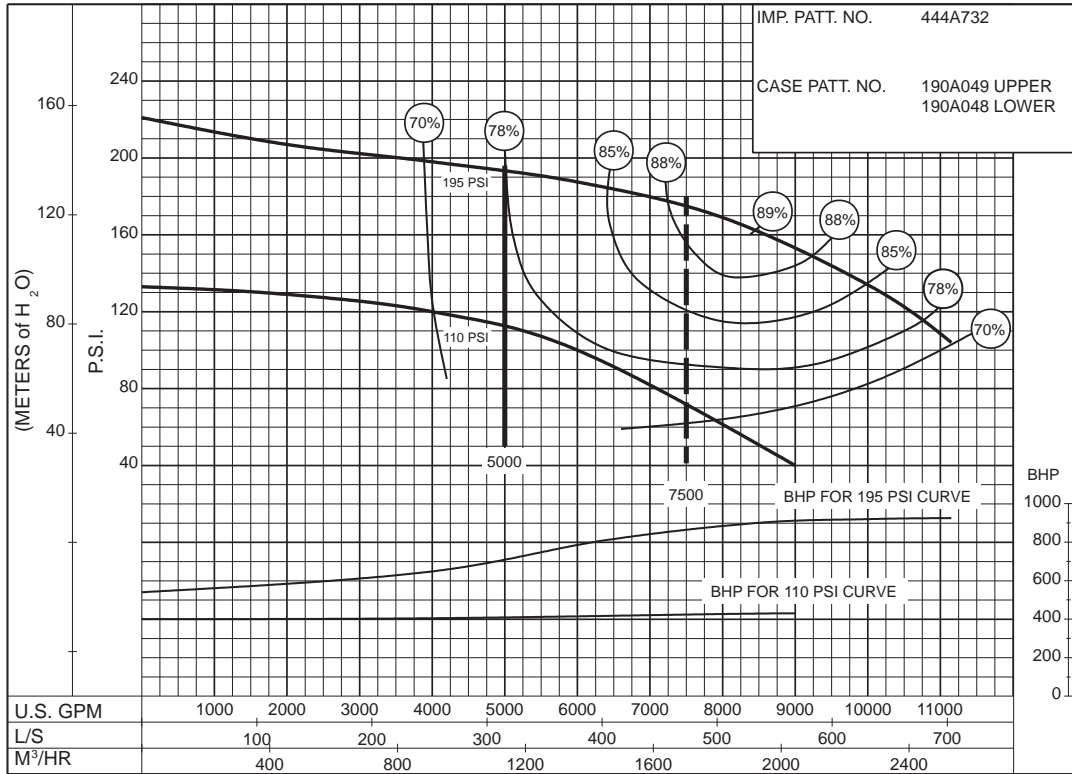
5000 G.P.M. 912 SERIES
ELECTRIC MOTOR DRIVE

SIZE : 10-491-20

MODEL: 491

IMPELLER : Enclosed

R. P. M. : 1785



110 to 195 P.S.I.

PC-168639

THIS PAGE LEFT INTENTIONALLY BLANK